



Product features may vary from the picture above.



F-150 PICK-UP TRUCK

Owner's Manual with Assembly Instructions

Please read this manual and save it with your original sales receipt.

For Model 74210

Tools needed for assembly: Phillips Screwdriver, Slotted Screwdriver, Hammer, and Safety Scissors.
Use only with Power Wheels® Type H 6 Volt (9.5 Amp./hr. - included or 12 Amp./hr. - not included) Batteries,
Power Wheels® 30 Amp Fuses (included) and Power Wheels® Type H 12 Volt Charger (included).



CAUTION

ELECTRIC TOY: Not recommended for children under 3 years of age.
As with all electric products, precautions should be observed during
handling and use to prevent electric shock.

Table of Contents

A	Important Information	.2
B	Warnings	.3
C	Parts	.4
D	Parts Diagram	.6
E	Battery Charging	.7
F	Assembly	.9
G	Label Decoration	.14
H	Battery Installation	.15
I	Battery Care and Disposal	.16
J	Rules for Safe Driving	.17
K	How to Operate Your Vehicle	.18
L	Caring for Your Vehicle	.19
M	Problems and Solutions Guide	.20
N	Statement of Limited Warranty	.24
O	Authorized Service Centers	.24

A

Important Information

- Your new vehicle requires adult assembly. Please set aside at least 45 minutes for assembly.
- You must charge your batteries for 18 - 30 hours **before you use your vehicle for the first time**. We recommend that you start charging your batteries before beginning assembly. Please see Battery Charging beginning on page 7 for detailed instructions.
- Read this manual carefully for important safety information and operating instructions before using your vehicle.
- This vehicle is designed for use on grass, asphalt or other hard surfaces by children 3 years of age and older.
- This vehicle has an adjustable play seat belt. Please note that the adjustable seat belt is designed to be a play feature only and does not function as a protective safety restraint.
- To prevent damaging the motors and gears, do not tow anything behind the vehicle or overload it. Do not exceed the maximum weight capacity of 65 lbs.
- For safety reasons, your vehicle has been pre-assembled so that it will only operate at low speed. **You must disconnect the high speed lock-out to allow operation of the vehicle at high speed**. Please see page 19 for detailed instructions.
- If you have any questions about your Power Wheels® vehicle, please call our toll-free service lines at **1-800-348-0751** from 8 AM to 6 PM (EST) Monday through Friday. Trained customer service representatives are available to take your call in English or French.

Habla Español? Si usted tiene alguna pregunta ó necesita asistencia llame gratis **1-800-348-0755** para los Estados Unidos. Tenemos representantes que hablan español para atender su llamada.

- For your convenience, Power Wheels® maintains an Authorized Service Center Network with more than 400 authorized service centers nationwide. Our authorized service centers will repair or replace parts under warranty at no extra charge, and can perform non-warranty repairs for a minimal charge. Please see the Authorized Service Center list beginning on page 24 to find the authorized service center nearest you, or call **1-800-348-0751**.
- Please complete and return the enclosed Registration Card today, or call **1-800-348-0751** to register your vehicle by phone.



CAUTION

Use the charger indoors only.

B

Warnings

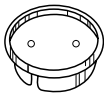
WARNING

- Children can be harmed by small parts, sharp edges and sharp points in the vehicle's unassembled state, or by electrical items. Care should be taken in unpacking and assembly of the vehicle. Children should not handle parts, including the batteries, or help in assembly of the vehicle.
- Keep small parts and plastic bags out of children's reach. Dispose of plastic bags properly.
- Adult supervision is required. Children do not have the judgement necessary to avoid many accidents. Be sure that children operating this vehicle can do so safely and that they are supervised at all times.
- Never use near steps, driveways, steep inclines, roadways, alleys, swimming pool areas or other bodies of water.
- Always wear shoes or sneakers when operating this vehicle.
- Never allow more than one rider.
- The rider should sit on the seat when the vehicle is in operation.
- **Hot** motor covers. Handle carefully.
- Never alter this vehicle or its electrical system in any way. Alterations could cause a fire resulting in injury and could also ruin the electrical system.
- Use of the wrong type batteries, fuses or charger could cause a fire or explosion, resulting in serious injury.
- The batteries must be handled by adults only. The batteries are heavy and contain sulfuric acid (electrolyte). Dropping the batteries could result in serious injury.
- Never lift or carry the batteries by the wires or connectors. This can damage the batteries and possibly cause a fire resulting in injury. Lift and carry the batteries by the cases only.
- Read the cautions on the back panels of the batteries.
- Never allow children to charge the batteries. Battery charging must be done by adults only. A child could be injured by the electricity involved in charging the batteries.
- Examine the batteries, charger and their connectors for excessive wear or damage each time you charge the batteries. If damage or excessive wear is detected, do not use the vehicle until you have replaced the worn or damaged part as it could possibly cause a fire resulting in injury.

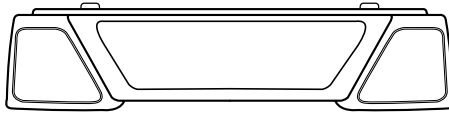
C

Parts

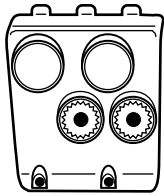
- If you experience a problem with this product, or are missing a part, please call us at **1-800-348-0751**, rather than return this product to the store.
- Please identify all parts before assembly and save all packaging material until assembly is complete to ensure that no parts are discarded.
- Metal parts have been coated with a lubricant to protect them during shipment. Wipe all metal parts with a paper towel to remove any excess lubricant.



Steering Wheel Cap



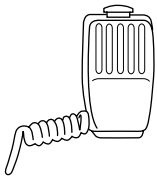
Grille



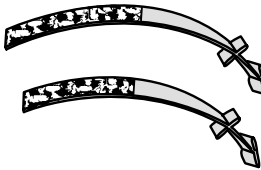
Dash Cover



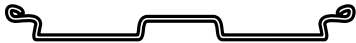
6 Volt Battery - 2



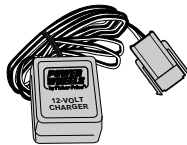
Microphone



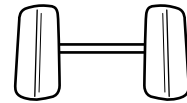
Seat Belt Strap - 2



Battery Retainer

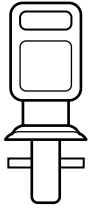


12 Volt Charger

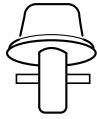


(Left) (Right)
Taillight Lens Set

Parts



Key



Knob



30 Amp Fuse – 3*



.354 Cap Nut – 3*

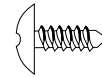
*For your convenience, an extra 30 amp fuse and .354 cap nut have been included.



#8 x 1" Screw – 12

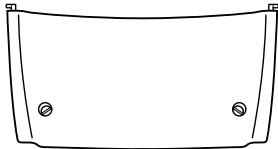


#6 x 1/2" Screw – 2

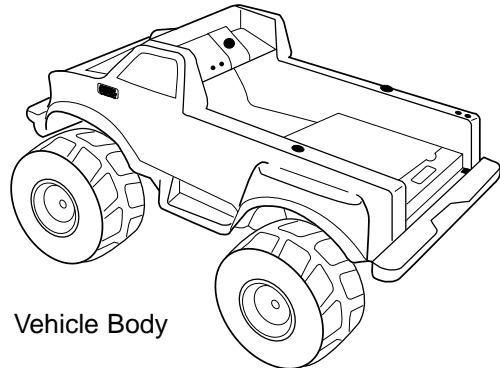


#6 x 3/8" Screw – 2

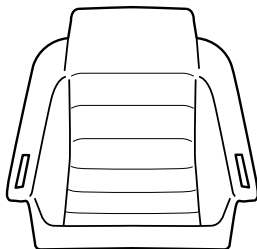
All Shown Actual Size



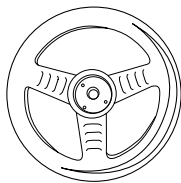
Hood



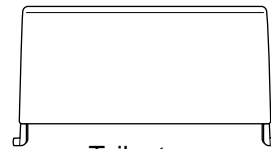
Vehicle Body



Seat



Steering Wheel



Tailgate

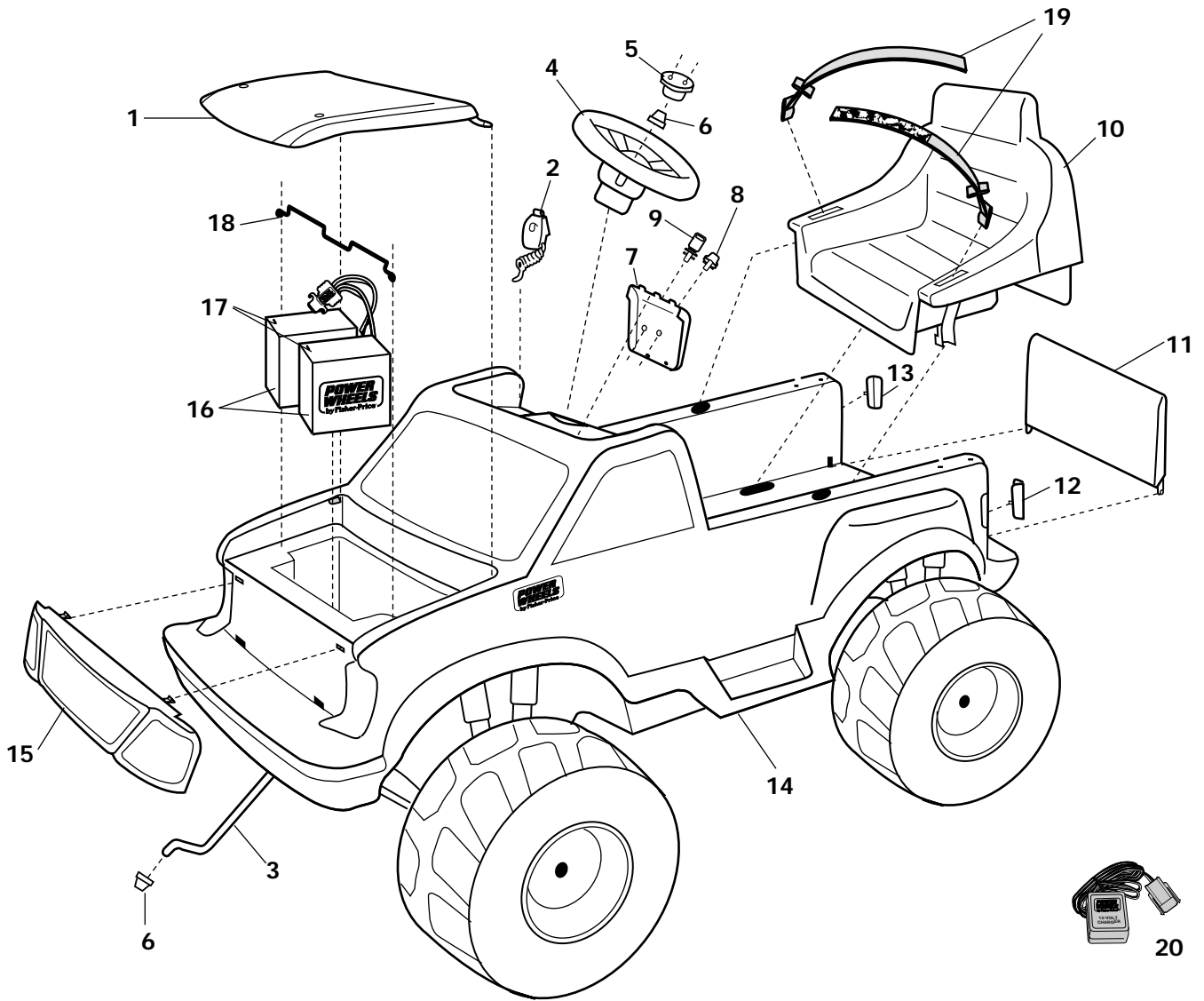


Steering Column

Not Shown: Label Sheet

D

Parts Diagram



Parts

1	Hood	9	Key	17	30 Amp Fuse – 2
2	Microphone	10	Seat	18	Battery Retainer
3	Steering Column	11	Tailgate	19	Seat Belt Straps - 2
4	Steering Wheel	12	Left Taillight	20	12 Volt Charger
5	Steering Wheel Cap	13	Right Taillight		
6	Cap Nut – 2	14	Vehicle Body		Not Shown: Label Sheet
7	Dash Cover	15	Grille		
8	Knob	16	6 Volt Battery – 2		

E

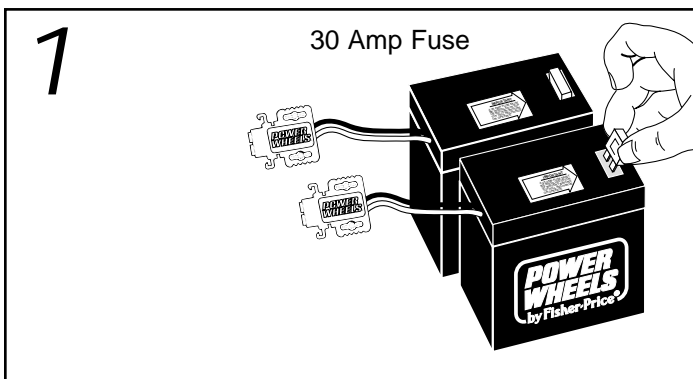
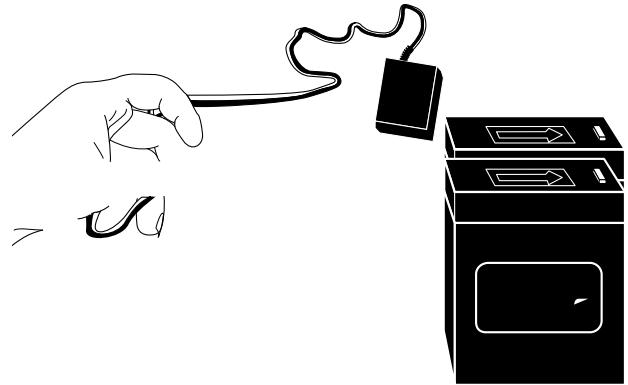
Battery Charging



WARNING

- The batteries must be handled by adults only. The batteries are heavy and contain sulfuric acid (electrolyte). Dropping the batteries could result in serious injury.
- Never allow children to charge the batteries. Battery charging must be done by adults only. A child could be injured by the electricity involved in charging the batteries.
- Use of the wrong type batteries, fuses or charger could cause a fire or explosion, resulting in serious injury.
- Read the cautions on the back panels of the batteries.
- Never lift or carry the batteries by the wires or connectors. This can damage the batteries and possibly cause a fire. Lift and carry the batteries by the cases only.
- Examine the batteries, charger and their connectors for excessive wear or damage each time you charge the batteries. If damage or excessive wear is detected, do not use the charger or the vehicle until you have replaced the worn or damaged part.
- Never alter this vehicle or its electrical system in any way. Alterations could cause a fire resulting in injury and could also ruin the electrical system.

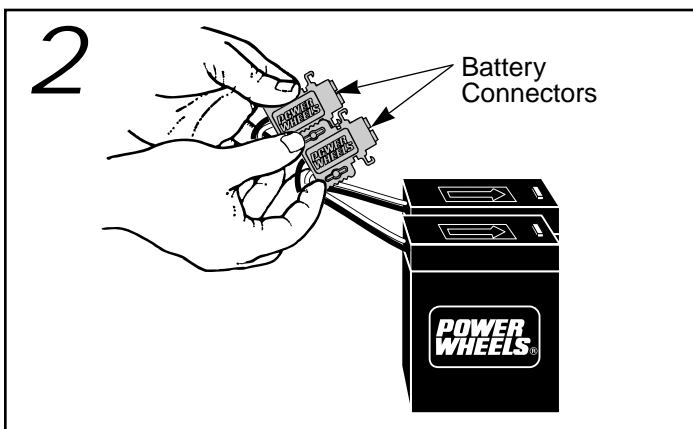
Battery Charging



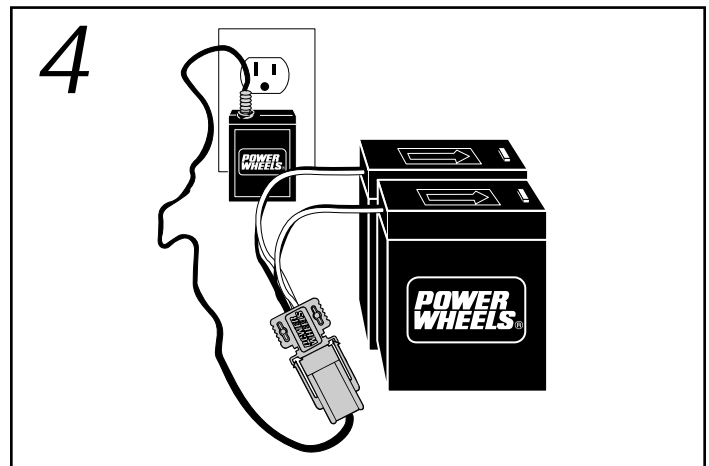
- If you are charging the batteries for the first time, insert a 30 amp fuse into each battery before charging.

Note: The top of the fuse will not be flush with the top of the battery when properly installed.

- If you are recharging your batteries, make sure the 30 amp fuses already installed in the batteries are in good condition. Remove the fuses from the batteries and look at them to make sure they are not blown. Replace a blown fuse with a new Power Wheels® 30 amp fuse.



- Stack one battery connector on top of the other and snap them together.



- Plug the charger into a standard 120 volt wall outlet.

Note: If power flow to the wall outlet is controlled by a switch, make sure the switch is "ON".

- Before first-time use, charge the batteries for **at least 18 hours**. Never charge the batteries longer than 30 hours.

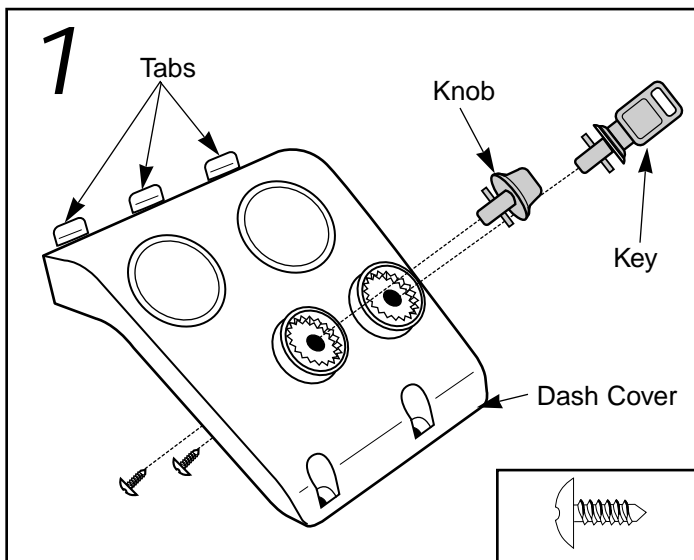
Note: The batteries must be upright while charging.

- Recharge the batteries for at least 14 hours after each use of your vehicle. Do not charge the batteries longer than 30 hours.
- Once the batteries are charged, disconnect the charger connector from the battery connector. Unplug the charger from the wall outlet. The batteries are now ready to be installed in your vehicle. Please see the Battery Installation section on page 15 for detailed instructions on installing your batteries. If your batteries are already installed in your vehicle, simply re-connect the battery connector and motor harness connector and close and lock the hood.

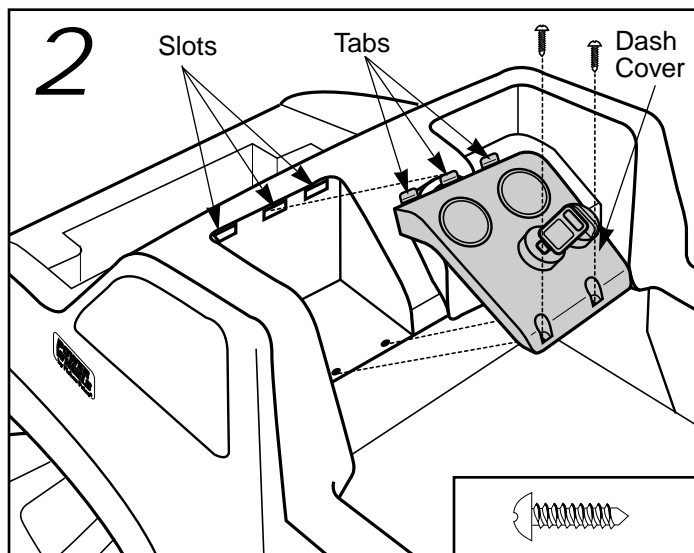
F

Assembly

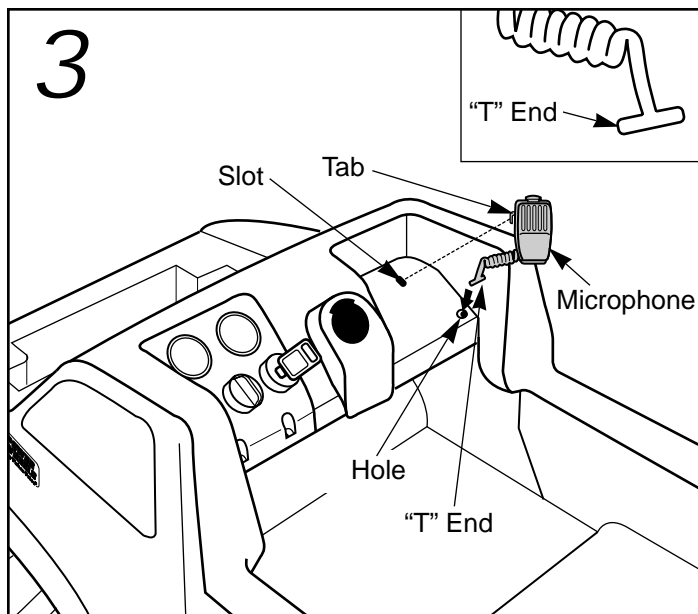
Do Not Omit Any Steps



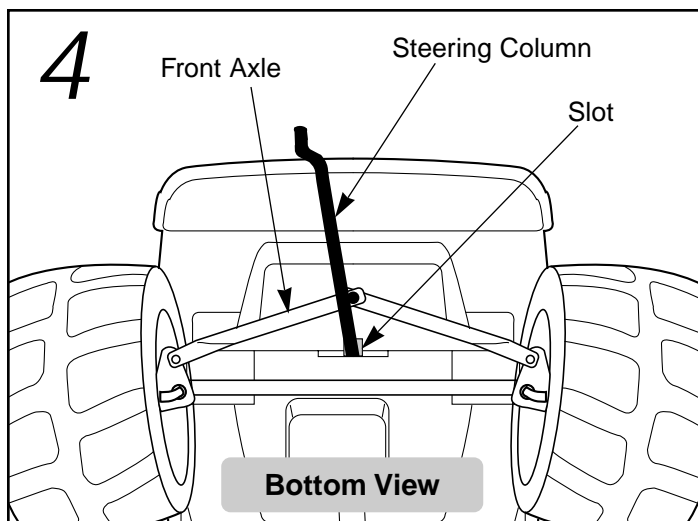
- Position the dash cover as shown. Make sure the three tabs are at the top.
- Fit the key into the hole in the right side of the dash cover.
- Fit the knob into the hole to the left of the key.
- Insert a #6 x $\frac{3}{8}$ " screw into the back of the key and into the back of the knob.
- Tighten the screws with a Phillips screwdriver. Do not over-tighten.



- Insert the tabs on the top of the dash cover into the slots in the dash.
- Lower the bottom of the dash cover.
- Insert two #6 x $\frac{1}{2}$ " screws through the dash cover and into the dash.
- Tighten the screws with a Phillips screwdriver. Do not over-tighten.



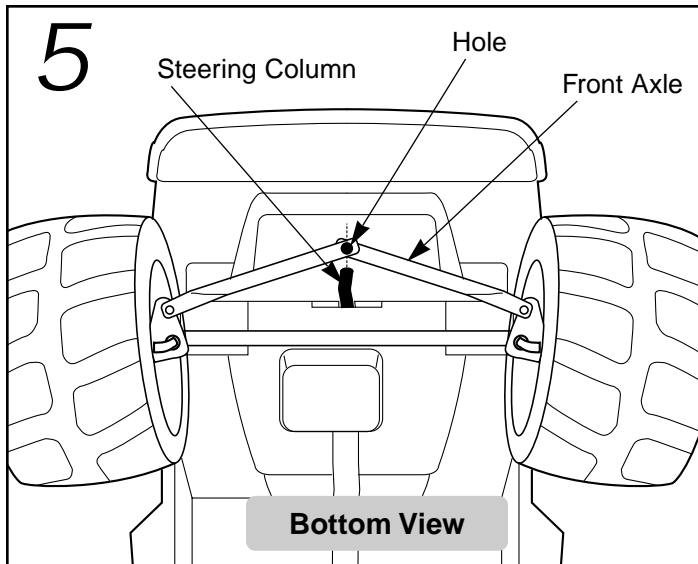
- Insert the end of the microphone cord through the hole in the right side of the dash.
- From the underside of the vehicle, bend the end of the microphone cord so that it forms a "T" under the dash.
- Gently pull on the microphone cord to make sure it is secure in the dash.
- Fit the tab on the back of the microphone into the slot in the dash to secure the microphone.



Helpful Hint: You may want the help of another person to complete assembly steps 4 through 7.

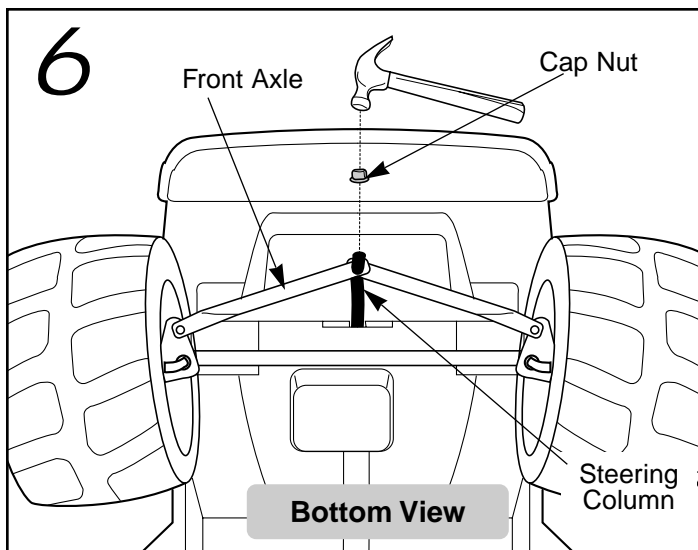
- Wipe the steering column with a paper towel to remove any excess lubricant.
- Carefully lift the front end of the vehicle.
- Insert the straight end of the steering column **under** the front axle, through the slot in the vehicle body and out through the large hole in the center of the dash.

Assembly

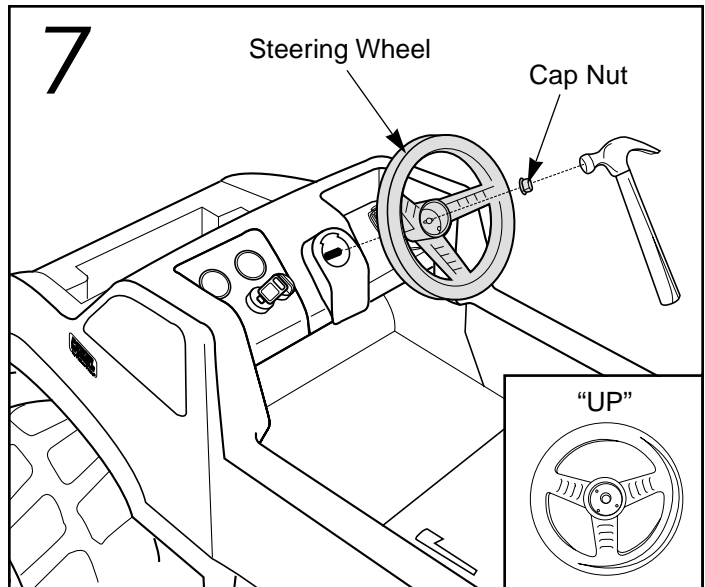


- Fit the curved end of the steering column into the hole in the front axle.

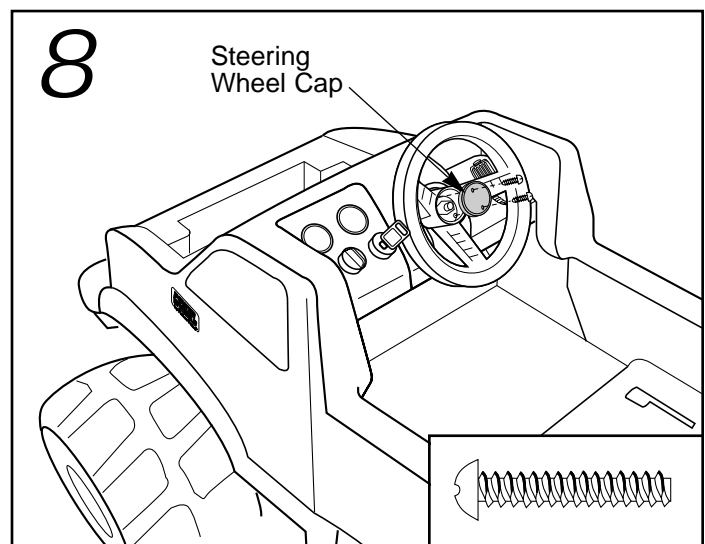
Please Note: You may need to straighten the vehicle tires and rotate the steering column to fit it into the hole in the front axle.



- Fit a cap nut onto the end of the steering column.
- While supporting the steering column, tap the cap nut with a hammer to secure it on the steering column.

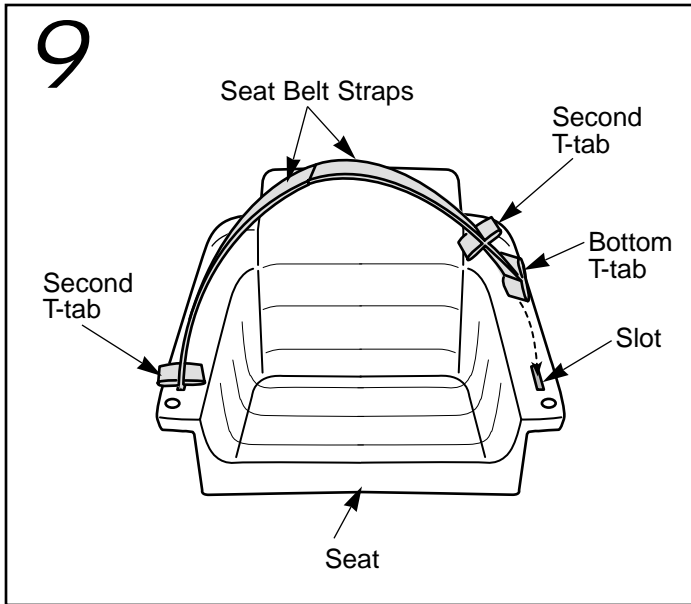


- Hold the steering column in place and gently lower the vehicle body.
- Position the steering wheel so that the spokes form a "Y" as shown.
- While supporting the steering column, fit the steering wheel onto the steering column.
- Fit a cap nut onto the end of the steering column.
- Tap the cap nut with a hammer to secure it on the steering column.

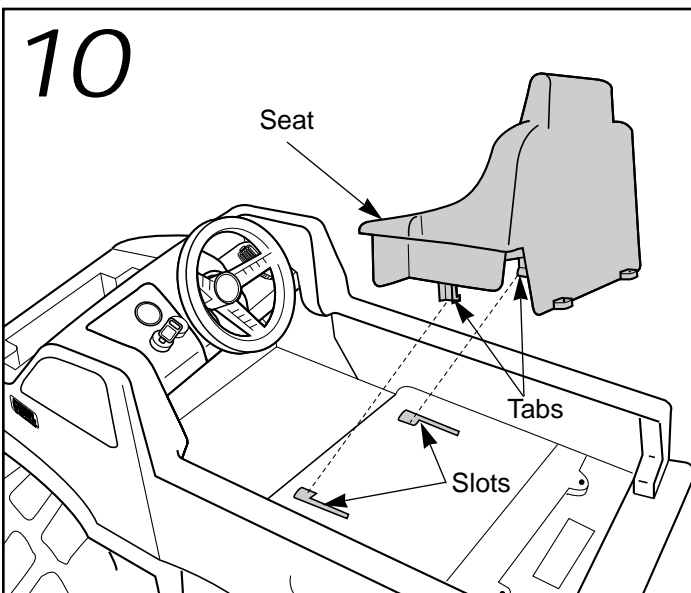


- Align the tab on the steering wheel cap with the slot in the center of the steering wheel.
- Fit the steering wheel cap into the center of the steering wheel.
- Insert two #8 x 1" screws into the steering wheel cap.
- Tighten the screws with a Phillips screwdriver. Do not over-tighten.

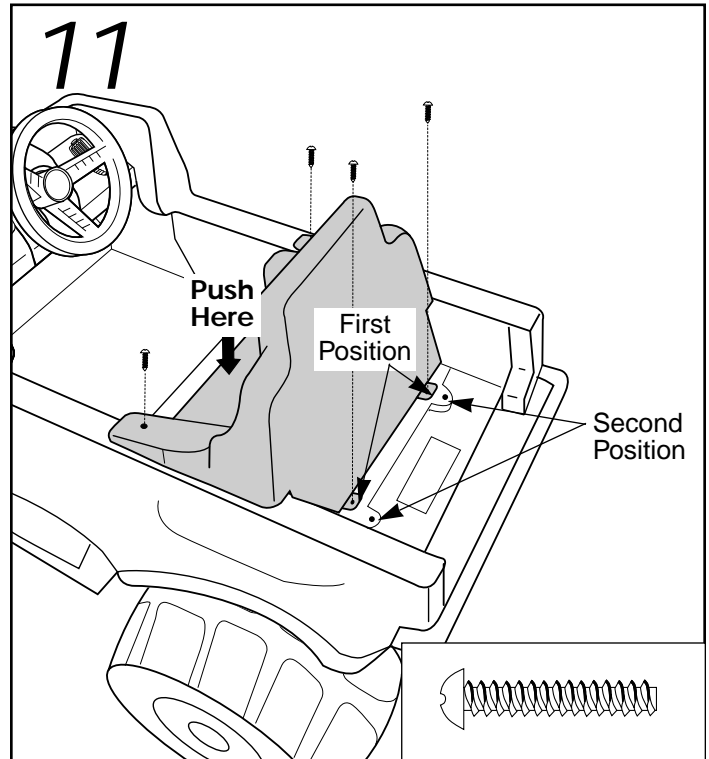
Assembly



- Make sure the two seat belt straps are fastened together. If they are not fastened together, connect the fasteners to form one seat belt.
- Insert the T-tab at one end of the seat belt through the slot in one arm of the seat. **Do not pull the second T-tab through the slot.**
- Repeat this procedure to secure the other end of the seat belt in the seat.
- Pull up on the seat belt to make sure it is securely attached to the seat.



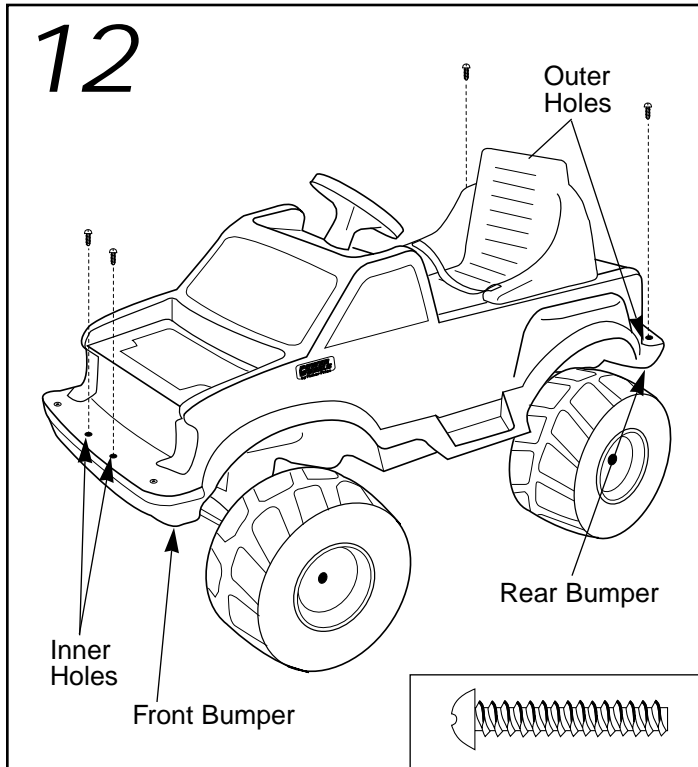
- Insert the two tabs on the bottom of the seat into the slots in the vehicle body.



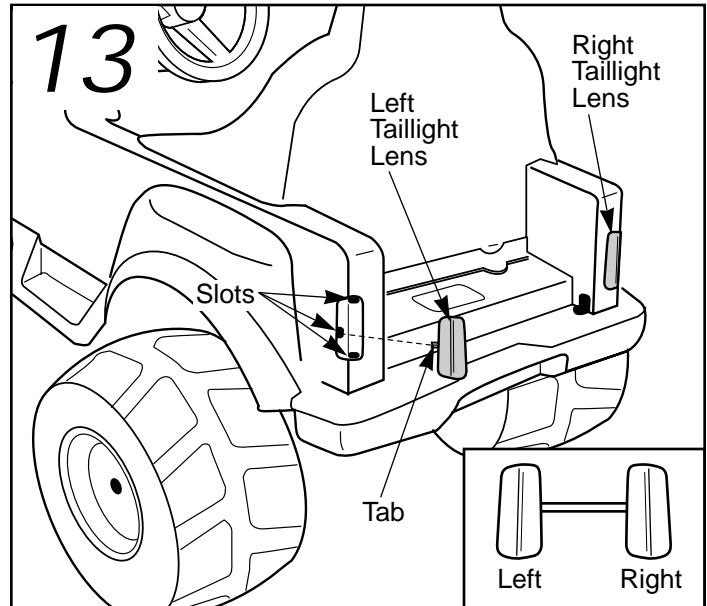
Please Note: The seat can be assembled in either of two positions for your child's comfort.

- Push down on the center of the seat and slide it toward the rear of the vehicle.
- Align the screw holes in the back of the seat with the first or second set of holes in the vehicle body.
- Check your child's fit in the vehicle by observing foot to pedal distance and adjust the position of the seat, if necessary.
- Insert two #8 x 1" screws through the holes in the back of the seat and into the holes in the vehicle body, as shown.
- Insert two #8 x 1" screws through the holes in the armrests and into the vehicle body, as shown.
- Tighten the screws with a Phillips screwdriver. Do not over-tighten.

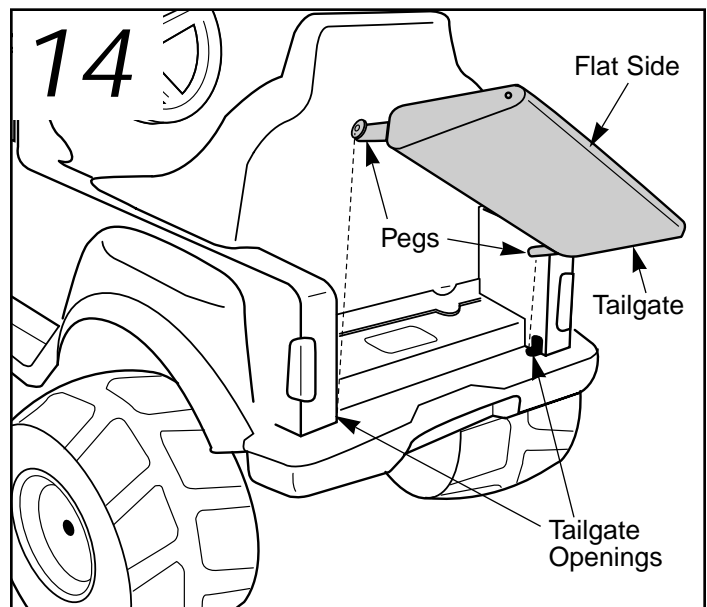
Assembly



- Insert a #8 x 1" screw into each of the two **inner** screw holes in the top of the **front bumper**.
- Tighten the screws with a Phillips screwdriver. Do not over-tighten.
- Insert a #8 x 1" screw into each of the two **outer** screw holes in the top of the **rear bumper**.
- Tighten the screws with a Phillips screwdriver. Do not over-tighten.

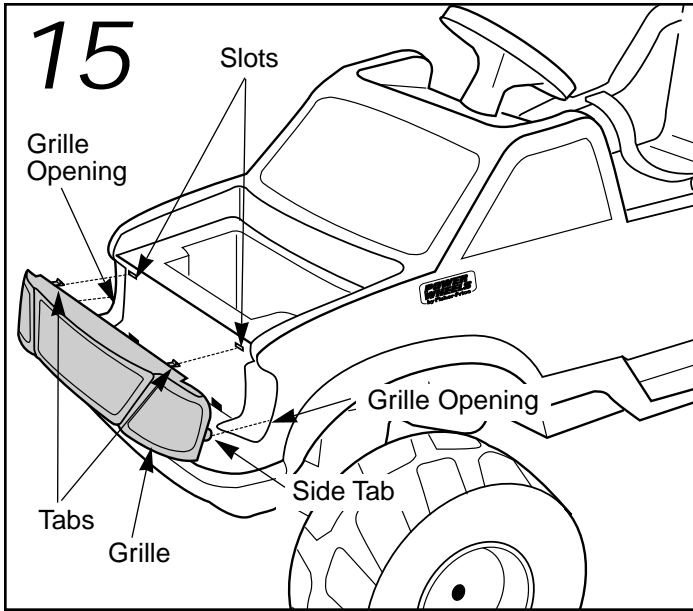


- Using safety scissors, remove the taillight lenses from the plastic connector. Dispose of the plastic connector.
 - Face the rear of the vehicle.
 - Insert the tabs on the back of the right and left taillight lenses into the taillight slots in the vehicle body.
- Please Note:** The left and right taillight lenses are NOT interchangeable.
- Press firmly to snap the tabs into the slots.

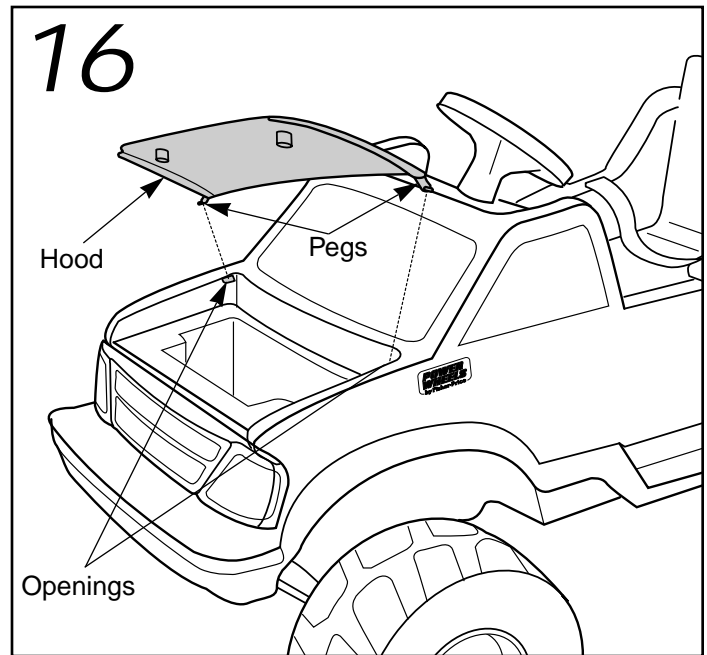


- Position the tailgate with the flat side facing up.
- Fit the peg on one side of the tailgate into the tailgate opening in the rear of the vehicle body.
- Slide the peg on the other side of the tailgate into the tailgate opening in the other side of the vehicle body.
- Lift the tailgate and press firmly to snap it closed.

Assembly



- Face the front of the vehicle.
- Insert the two tabs at the top of the grille into the slots in the front of the vehicle body.
- Press firmly to snap the tabs into the slots.
- **Fit the two side tabs on the grille into the grille openings in the front of the vehicle body.**
- Press firmly at the bottom of the grille to snap the two tabs at the bottom of the grille into the vehicle body.



Please Note: If you have already charged your Power Wheels® batteries for at least 18 hours, you may want to install them in the battery compartment before assembling the hood. Please refer to the Battery Installation section on page 15 for instructions.

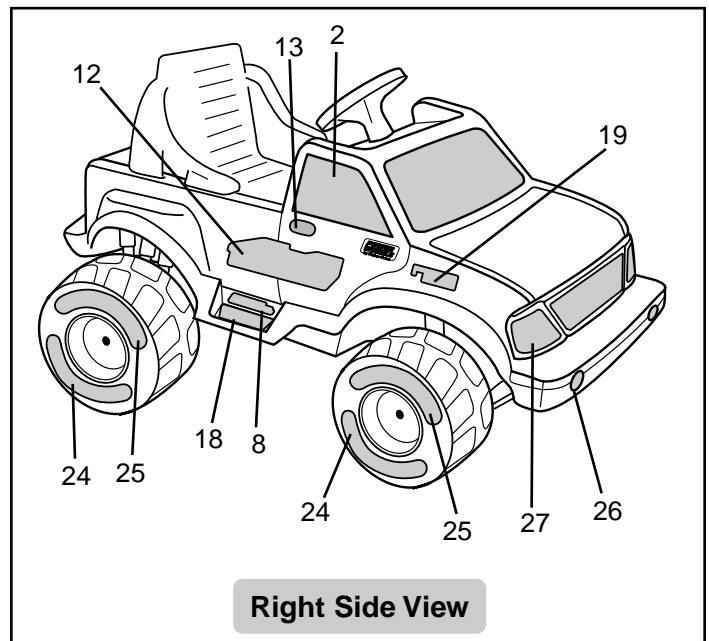
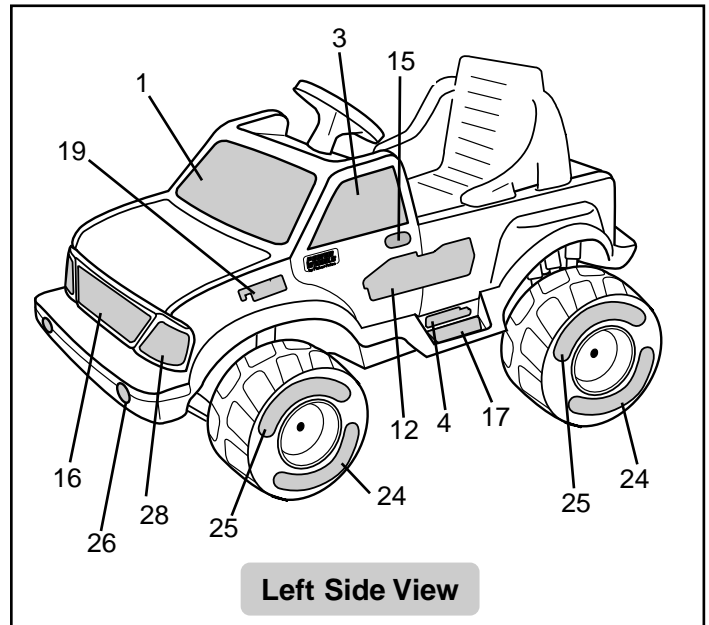
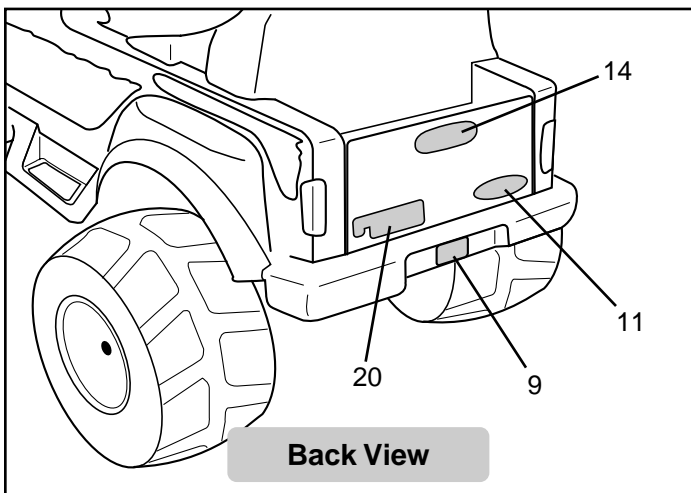
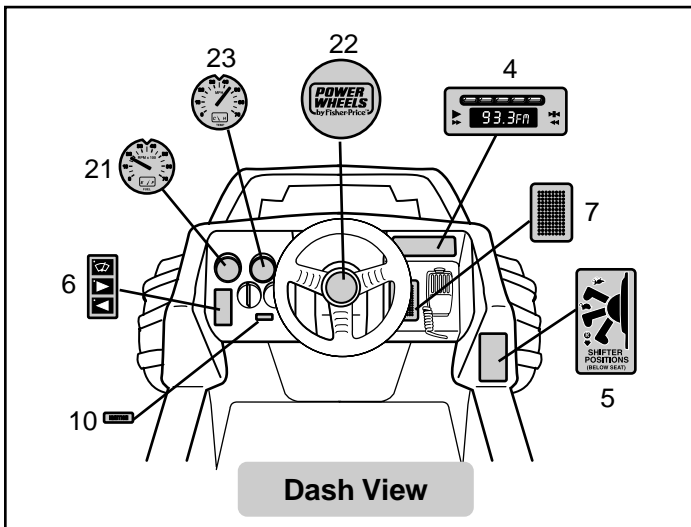
- Fit the peg on one side of the hood into one of the hood openings near the base of the windshield area.
- Gently bend the hood to insert the peg on the other side of the hood into the opening on the other side of the vehicle body.
- Lower the hood.

G

Label Decoration

Proper label application will help to keep the labels looking their best! When applying labels, keep the following guidelines in mind:

- Wash your hands before applying the labels.
- Before applying the labels, wipe the surface of the vehicle with a clean, dry cloth to remove any dust or oils.
- Place the labels exactly as shown in the illustrations.
- For best results, avoid repositioning a label once it has been applied to the vehicle.
- **After applying a label, rub the label firmly with a clean, dry cloth to make sure the label is adhered to your vehicle. Start at the center of a label, and smooth towards the outer edges to remove air bubbles.**



One-time assembly is now complete.

IMPORTANT NOTES:

- Please carefully read the owner's information in this manual and teach your child about proper vehicle operation and rules for safe driving before allowing operation of this vehicle.
- For safety reasons, your vehicle has been pre-assembled so that it will only operate at low speed (2½ mph, maximum). Make sure that your child can safely operate this vehicle at low speed before adjusting the vehicle to run at high speed (5 mph, maximum).

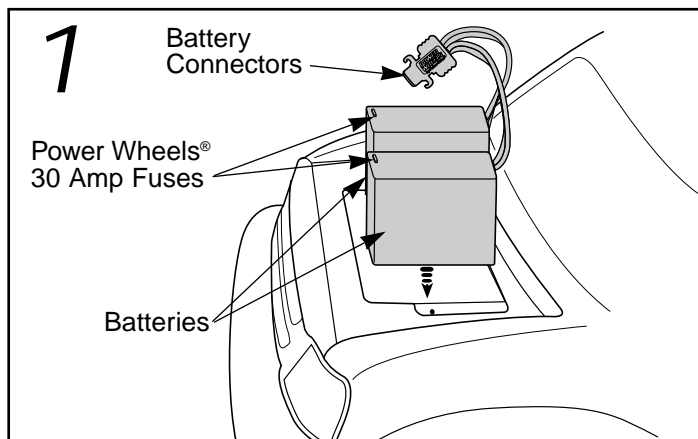
To disconnect high speed lock-out, please see page 19.

H

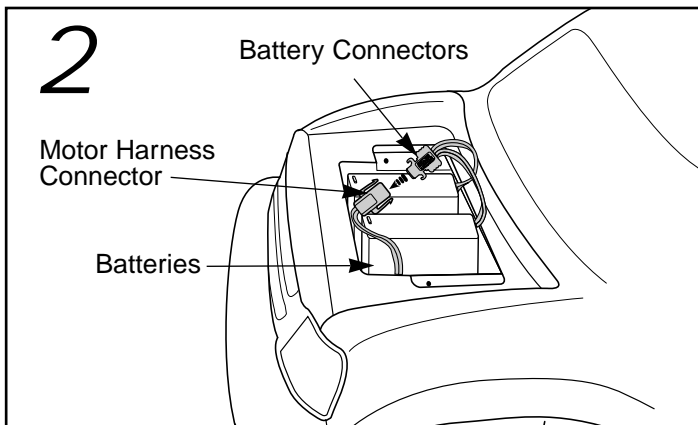
Battery Installation

Important Note: Use only Power Wheels® Type H batteries with Power Wheels® 30 amp fuses installed. Use of any other batteries or fuses will damage your vehicle. Make sure that you charge the batteries for at least 18 hours using the enclosed Power Wheels® 12 volt charger before operating your vehicle for the first time. Charge the batteries for at least 14 hours after each use of the vehicle. Never charge the batteries longer than 30 hours. Failure to follow these instructions may damage your batteries and will void your warranty.

It is easier to install the batteries before assembling the hood to your vehicle. If you have already assembled the hood to your vehicle, you may want to remove it to install the batteries.

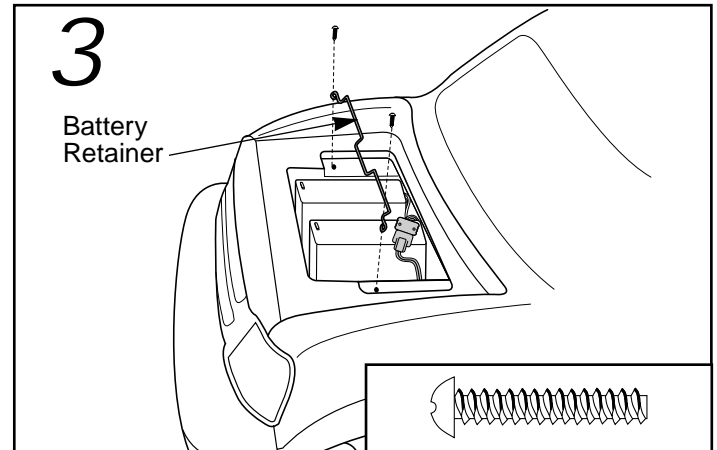


- The battery compartment is located under the hood of your vehicle.
- Place both batteries upright in the battery compartment. Make sure the bottoms of the batteries are flat on the bottom of the battery compartment and that the battery connectors extend toward the rear of the vehicle.
- Make sure a Power Wheels® 30 amp fuse in good condition is installed in each of the batteries and that the battery connectors are snapped together.

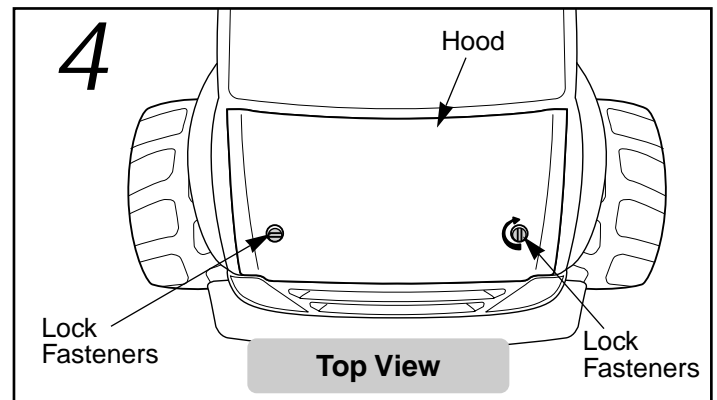


- Squeeze the tabs on each side of the motor harness connector.
- Plug the battery connector into the motor harness connector.

Please Note: If the battery connector will not plug into the motor harness connector, turn it over and try again! Do not force the battery connector into the motor harness connector.



- Position the battery retainer over the batteries with the ends of the battery retainer aligned with the screw holes in the battery compartment.
- Insert two #8 x 1" screws through the battery retainer and into the battery compartment.
- Tighten the screws with a Phillips screwdriver. Do not over-tighten.
- Place the connectors toward the rear of the battery compartment, on top of the battery, as shown.



- Re-assemble the hood to the vehicle if you have removed it to install your batteries.
- Lower the hood.
- Face the front of the vehicle.
- Using a slotted screwdriver, rotate the lock-fasteners in the hood so that they are horizontal (⊖).
- Press down on the hood so that the lock fastener tabs on the underside of the hood fit into the lock fastener slots under the hood in the battery compartment.
- Rotate the lock fasteners clockwise 90° (¼ turn) using a slotted screwdriver to lock the hood and prevent children from accessing the batteries (⊕).
- Lift up on the hood to make sure it is securely fastened.

Care

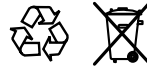
If a battery leak develops, avoid contact with the leaking acid and place the damaged battery in a plastic bag. See information below for proper disposal.

If acid comes in contact with skin or eyes, flush with cool water for at least 15 minutes and call a physician.

If acid is internally ingested, give water, milk of magnesia or egg whites immediately. Never give emetics or induce vomiting. Call a physician.

- Charge new batteries for at least 18 hours before first use. Never charge the batteries longer than 30 hours. Overcharging or undercharging the batteries may shorten battery life and decrease vehicle running time.
- After the first charge, recharge the batteries for at least 14 hours after each use. Never charge the batteries longer than 30 hours. Charge the batteries after each use, regardless of how long the vehicle was used.
- The batteries must be upright while charging.
- Do not allow the batteries to run down completely before charging.
- Charge the batteries before storing the vehicle.
- Charge the batteries at least once per month, even if the vehicle has not been used.
- Leaving the batteries in a discharged condition will ruin them.
- Do not store the batteries in temperatures above 75° F or below -10° F.
- When you purchase replacement Power Wheels® Type H batteries, you should buy them as a set. Using an older battery with a new battery may result in poor performance and may cause permanent damage to both batteries. Remember to charge new batteries for at least 18 hours before first use.
- Prevent the batteries from moving freely inside the battery compartment. Always use the battery retainer to secure the batteries in the battery compartment.
- Examine the batteries, charger and their connectors for excessive wear or damage each time you charge the batteries. If damage is detected, do not use the charger or the batteries until you have replaced the worn or damaged part.
- Attempting to charge the batteries without 30 amp fuses or with a blown fuse will not damage the batteries, but they will not charge. Check the fuses to make sure they are in good condition each time you charge the batteries.

Disposal



- Your Power Wheels® batteries are sealed lead-acid batteries. They must be recycled or disposed of in an environmentally sound manner.
- Do not dispose of a lead-acid battery in your regular, household trash. The incineration, landfilling or mixing of sealed lead-acid batteries with household trash is prohibited by law in most areas.
- Return the batteries to a federal or state approved lead-acid battery recycler, such as a Power Wheels® authorized service center, or a local seller of automotive batteries. In Minnesota, call 1-800-348-0751 if further disposal information is required. Contact your local waste management officials for other information regarding the environmentally sound collection, recycling and disposal of lead-acid batteries.

J

Rules for Safe Driving



WARNING

- Adult supervision is required. Children do not have the judgement necessary to avoid many accidents. Be sure that children operating this vehicle can do so safely and that they are supervised at all times.
- Never use near steps, driveways, steep inclines, roadways, alleys, swimming pool areas or other bodies of water.
- Always wear shoes or sneakers when operating this vehicle.
- Never allow more than one rider.
- The rider should sit on the seat when the vehicle is in operation.

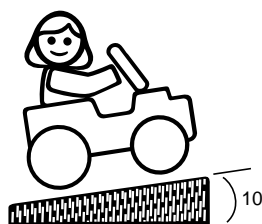
Teach Safety Rules to Children

While children can quickly develop the skill necessary to drive this vehicle, it is important to remember that their judgement skills are still very immature. Unsupervised driving by children can lead to serious injury. Before children use the FORD F-150 Pick-Up Truck, an adult should carefully evaluate the driving area as well as the children's skill level and ability to drive this vehicle safely. Children are not always able to recognize or anticipate hazards, even when they have been taught about them. There is no acceptable substitute for adult supervision.

Teach appropriate safety rules to your child before allowing operation of this vehicle. These rules should also be reviewed with neighborhood children or other playmates who want to drive this vehicle.

1. Do not allow any child to drive the vehicle in the street or near moving (motorized) vehicles.
2. Do not allow any child to drive near bodies of water (such as pools or creeks), obstructions (such as furniture, low tree limbs or play equipment), or drop-offs (such as stairs or decks).
3. Do not allow any child to drive the vehicle in the dark. A child could encounter unexpected obstacles and have an accident. Operate the vehicle only in the daytime or in a well-lit area.
4. Teach your child to avoid driving on steep inclines or slopes. Restrict your child's driving to areas that are fairly level with gentle inclines or slopes of no more than 10°.
 - While driving down a steep slope, the vehicle may gain unsafe speed, even if the foot pedal is released to stop.

- While driving across a steep slope, the vehicle may tilt and tip over. The wheels could lose traction, causing the vehicle to slip.
- While driving up a steep incline, the motor may stop and the vehicle could roll backwards at an unsafe speed.



Incline should never be more than 10°

5. Do not operate this vehicle with more than one rider who is seated on the seating area. A child who is not sitting on the seat or who is standing on the vehicle could fall off, cause a tip-over or block the driver's view. A child could be seriously injured.
6. Always wear shoes or sneakers when operating this vehicle.
7. Never put anything near any moving parts. Rotating parts such as motors, gear boxes and wheels can snag fingers, hair, etc., causing serious injury. Do not allow operation of the vehicle when it is on its side or in an upside-down position.
8. Do not operate the vehicle near flammable vapors (gasoline, paint thinner, acetone, liquid wax, etc.). The vehicle's electrical switches, like most electrical switches, emit an internal spark when first turned on or turned off. The presence of flammable liquids or vapors could cause an explosion or a fire. Keep all flammable products in tightly sealed containers and away from the vehicle.
9. Do not allow a child to operate the vehicle without proper adult supervision. To prevent unsupervised use of the vehicle, disconnect the motor harness from the battery when the vehicle is not in use.

To disconnect the motor harness connector and battery connector:

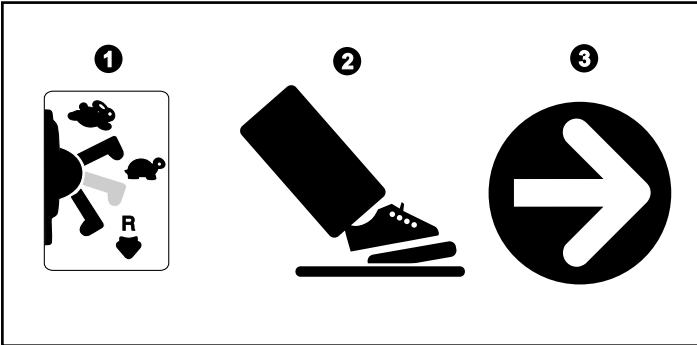
- Rotate the lock fasteners in the hood counter-clockwise 90° (1/4 turn) with a slotted screwdriver to unlock the hood (⊖).
- Raise the hood to access the batteries.
- Squeeze the tabs on the motor harness connector to unplug the battery connector from the motor harness connector.
- Lower the hood and rotate the lock fasteners clockwise 90° (1/4 turn) with a slotted screwdriver to lock the hood (⊕).

K

How to Operate Your Vehicle

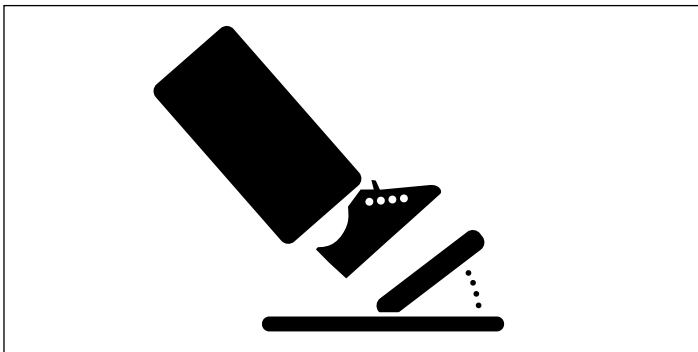
Beginner Use - Low Speed Drive

As assembled, your vehicle is ready to roll in low speed (2½ mph, maximum).



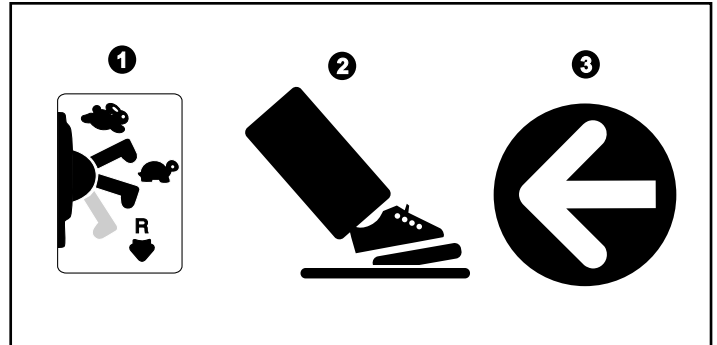
- Make sure the shifter is in the low speed (⚙️) position ①.
- Press down on the foot pedal ②. The vehicle goes forward at a maximum of 2½ mph ③.
- Help your child practice steering to learn how far and how quickly to turn the steering wheel when driving

To Stop 🖐️



- Your vehicle has a patented, electronic braking system that automatically stops the vehicle when your child's foot is lifted from the pedal.
- Make sure your child is comfortable with steering the vehicle and automatically knows how to stop.

To Back Up



Please Note: To avoid damaging the motors and gears, stop the vehicle before shifting from forward to reverse (♥️).

- Once your child is completely comfortable with operating the vehicle in the forward mode, introduce reverse (♥️).

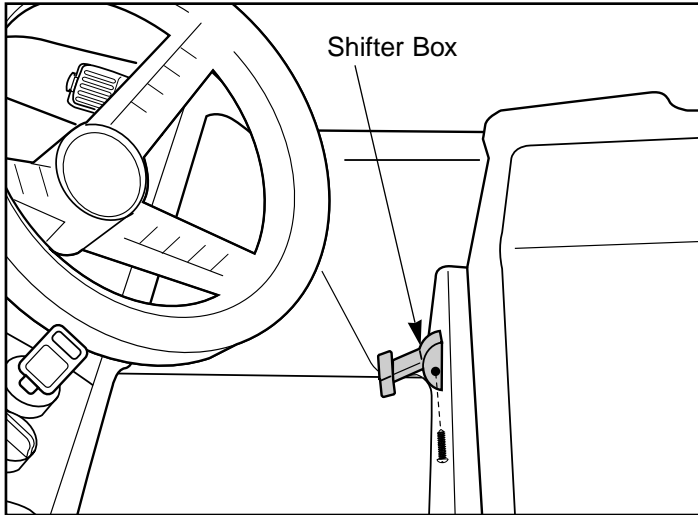
To Back Up

- Make sure the shifter is in the reverse (♥️) position ①.
- Press down on the foot pedal ②. The vehicle will go in reverse at a maximum of 2½ mph ③. The vehicle is designed to operate in low speed only in reverse.
- Help your child practice steering to learn how far and how quickly to turn the steering wheel when driving in reverse.

How to Operate Your Vehicle

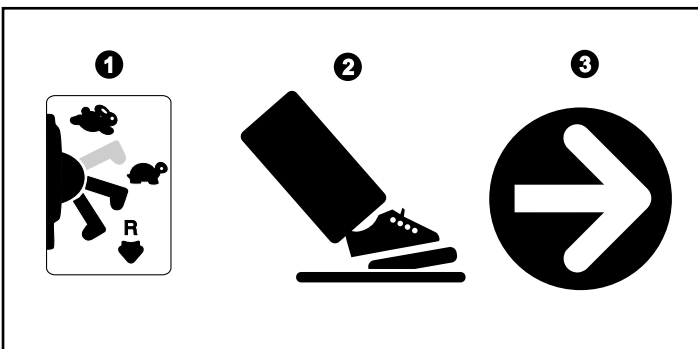
Advanced Use - High Speed Drive

Disconnecting the High Speed Lock-Out



- Before you disconnect the high speed lock-out, make sure your child knows how to steer, how to start and stop the vehicle and knows the rules for safe driving. When the high speed lock-out is disconnected, the vehicle can be driven forward in low speed (2½ mph, maximum) or high speed (5 mph, maximum).
- Make sure the shifter is in the reverse (♥) position.
- Loosen the screw in the shifter box using a Phillips screwdriver.
- Remove the screw. Keep the screw in a safe place out of children's reach for future use. You can re-insert the screw into the shifter box if you want to lock-out high speed and allow operation of the vehicle in low speed only.

To Drive:



Please Note: To avoid damaging the motors and gears, stop the vehicle before shifting between low and high speed.

- Make sure the shifter is in the high speed (⚙️) position ①.

How to Operate Your Vehicle

- Press down on the foot pedal ②. The vehicle goes forward at a maximum of 5 mph ③.
- Help your child practice steering to learn how far and how quickly to turn the steering wheel when driving forward in high speed.
- Make sure your child is comfortable with steering the vehicle and automatically knows how to stop.
- Stopping in high speed is the same as stopping in low speed. The vehicle automatically stops when your child's foot is lifted from the pedal.



Caring For Your Vehicle

- Check all nuts, bolts, and their protective coverings regularly and tighten as required. Check plastic parts on a regular basis for cracks or broken pieces.
- During snowy or rainy weather, the vehicle should be stored inside or under a protective cover. Remember to charge the batteries at least once per month while your vehicle is not in regular use.
- Avoid operating the vehicle in wet or snowy conditions, and do not spray the vehicle with a hose. Do not wash the vehicle with soap and water. Water or moisture in the motors or electrical switches can cause them to corrode, and could cause switch or motor failure.
- Avoid operating the vehicle on sand, loose dirt or gravel. Sand, loose dirt or gravel in the motors or electrical switches can cause them to jam, and could cause switch or motor failure.
- The vehicle can be wiped down with a soft, dry cloth. For a shiny finish, you can wipe plastic parts with a non-wax furniture polish applied to a soft-cloth. Do not use automotive wax. Do not use soap and water or spray the vehicle with a hose.
- To ensure that your vehicle stays in good operating order, we recommend that you periodically have your vehicle checked by a Power Wheels® authorized service center. See page 24 for the list of authorized service centers or call **1-800-348-0751** for the location of the authorized service center nearest you.

M

Problems and Solutions Guide

IMPORTANT! If you experience a problem with your vehicle, first check the Problems and Solutions Guide below. If you still experience a problem, please contact Power Wheels® Consumer Affairs, toll-free at 1-800-348-0751 between 8 AM and 6 PM (EST) Monday through Friday. Or, contact your local Power Wheels® authorized service center. For the location nearest you, please refer to the Authorized Service Center list beginning on page 24.

Problem	Possible Cause	Solution
Vehicle does not run	Undercharged batteries	Charge the batteries. New batteries should have been charged for at least 18 hours before using the vehicle for the first time. After first-time use, recharge the batteries for at least 14 hours after each use. Never charge the batteries longer than 30 hours.
		Check all connectors. Make sure the battery connector is tightly plugged into the charger connector, and that the charger is plugged into the wall.
		Make sure power flow to the wall outlet is "ON".
	Charger is not working	There is no sure way to tell if your charger is working unless you have a volt meter. If you suspect there is a problem with your charger, contact your local Power Wheels® authorized service center. They can test your charger for you.
	Wrong type or improperly installed fuse	Make sure that the batteries have properly installed Power Wheels® 30 amp fuses before charging. For best performance, do not use substitute parts.
	Blown fuse	Make sure that the fuses in the batteries are in good condition. Remove the fuses from the batteries and make sure they are not blown. Replace a blown fuse with a Power Wheels® 30 amp fuse. For best performance, do not use substitute parts.
	Loose wire or loose connectors	Check all wires and connectors. Make sure the battery connector is tightly plugged into the motor harness connector, and that there are no loose wires around the motors.
	Dead batteries	If your batteries are old or if you have not followed Battery Care instructions, your batteries may be dead. If you are unsure whether or not the batteries are dead, you can have them tested at your local Power Wheels® authorized service center.
	Electrical switch damage	The electrical switches can become corroded due to exposure to water or moisture, or can jam due to loose dirt, sand or gravel. Contact your local Power Wheels® authorized service center for diagnosis and repair.
Motor damage	Contact your local Power Wheels® authorized service center for diagnosis and repair.	

Problems and Solutions Guide

Problem	Possible Cause	Solution
Vehicle was running but suddenly stopped	Loose wire or loose connectors	Check all wires and connectors. Make sure the battery connector is tightly plugged into the motor harness connector, and that there are no loose wires around the motors.
	Wrong type or improperly installed fuse	Make sure that the battery has properly installed Power Wheels® 30 amp fuses installed before charging. For best performance, do not use substitute parts.
	Blown fuses	Make sure that the fuses in the batteries are in good condition. Remove the fuse from the battery and make sure they are not blown. Replace a blown fuse with a Power Wheels® 30 amp fuse. For best performance, do not use substitute parts.
Short run time (Less than 1 - 3 hours per charge)	Undercharged batteries	Charge the batteries. New batteries should have been charged for at least 18 hours before using the vehicle for the first time. After first-time use, recharge the batteries for at least 14 hours after each use. Never charge the batteries longer than 30 hours.
		Check all wires and connectors. Make sure the battery connector is tightly plugged into the charger connector, and that the charger is plugged into the wall.
		Make sure power flow to the wall outlet is "ON".
	Overcharged batteries	Do not charge the batteries longer than 30 hours. If you suspect that your batteries are damaged as a result of overcharging, contact your local Power Wheels® authorized service center. They can test your batteries for you.
	Batteries are old and will not accept full charge	Even with proper care, a rechargeable battery does not last forever. Average battery life is 1 to 3 years depending on vehicle use and use conditions. For best performance, do not use substitute parts.
	Wrong type or improperly installed fuse	Make sure that the batteries have properly installed Power Wheels® 30 amp fuses before charging. For best performance, do not use substitute parts.
	Driving conditions are too stressful	Use only on gentle inclines or slopes of 10° or less. Extreme temperatures can also affect run time. Adjust the driving conditions.
	Vehicle is overloaded	Make sure you do not overload the vehicle by allowing more than 1 rider at one time, by exceeding the 65 lbs. maximum weight capacity, or by towing objects behind the vehicle. Reduce the load on the vehicle.

Problems and Solutions Guide

Problem	Possible Cause	Solution
Vehicle runs sluggishly	Undercharged batteries	Charge the batteries. New batteries should have been charged for at least 18 hours before using the vehicle for the first time. After first-time use, recharge the batteries for at least 14 hours after each use. Never charge the batteries longer than 30 hours.
		Check all connectors. Make sure the battery connector is tightly plugged into the charger connector, and that the charger is plugged into the wall.
		Make sure power flow to the wall outlet is "ON".
	Batteries need charging	After approximately 3 hours of constant use, the batteries need charging.
	Wrong type or improperly installed fuses	Make sure that the batteries have properly installed Power Wheels® 30 amp fuses installed before charging. For best performance, do not use substitute parts.
	Batteries are old and will not accept full charge	Even with proper care, rechargeable batteries do not last forever. Average battery life is 1 to 3 years depending on the vehicle use and use conditions. Replace the battery with a Power Wheels® Type H 6 volt battery. For best performance, do not use substitute parts.
	Vehicle is overloaded	Make sure you do not overload the vehicle by allowing more than 1 rider at one time, exceeding the 65 lbs. maximum weight capacity, or by towing objects behind the vehicle. Reduce the load on the vehicle.
Driving conditions are too stressful	Use only on gentle inclines or slopes of 10° or less. Extreme temperatures can also affect run time. Adjust the driving conditions.	
Vehicle runs in low speed, but does not run in high speed (Please Note: The vehicle is designed to operate in low speed only in reverse (♥).)	High speed lock-out not disconnected	The vehicle was pre-assembled to run only in low speed. To allow the vehicle to run in low and high speed, you must disconnect the High Speed Lock-Out. Follow the instructions on page 19 to disconnect the High Speed Lock-Out.
When the foot pedal is pressed, only one rear wheel turns	Operation of vehicle in low speed with both rear wheels off the ground	It is possible that only one rear wheel may spin when both rear wheels are raised off the ground and the vehicle is in low speed. This does not necessarily indicate a problem. Check for proper operation of the drive system by raising the rear wheels off the ground and pressing the foot pedal. If only one rear wheel spins, carefully press your hand on the spinning wheel to slow it down. The other rear wheel should begin to spin. If the other rear wheel does not begin to spin, there may be a problem with the vehicle. Contact your local Power Wheels® authorized service center for diagnosis and repair.
Sometimes the vehicle doesn't run, but other times it does	Loose wire or connector	Check all wires around the motors and all connectors to make sure they are tight.
	Motor or electrical switch damage	Contact your local Power Wheels® authorized service center for diagnosis and repair.
When the foot pedal is pressed, the vehicle won't run without a push	Loose wire or connector	Check all wires around the motors and all connectors to make sure they are tight.
	"Dead Spot" on motor	Contact your local Power Wheels® authorized service center for diagnosis and repair.

Problems and Solutions Guide

Problem	Possible Cause	Solution
Vehicle constantly blows fuses	Wrong type of fuse used	Your vehicle requires Power Wheels® 30 amp fuses, one in each battery. Make sure the Power Wheels® 30 amp fuses are properly installed in the batteries. For best performance, do not use substitute parts.
	Child is switching between speeds or between forward and reverse without stopping.	Teach your child to stop the vehicle before switching between speeds or switching direction.
Loud clacking or grinding noise from a motor-gearbox	Broken gears	Contact your local Power Wheels® authorized service center for diagnosis and repair.
Charger gets warm during use	It is normal for some chargers to get warm during use and is not reason for concern.	No action required. If your charger does not get warm during use, it does not mean that it is not working properly.
Batteries make a sizzling or gurgling noise when charging	It is normal for some batteries to make noise and swell slightly while charging and is not reason for concern.	No action required. If your batteries do not make noise or swell slightly during charging, it does not mean that they are not accepting the charge.

If, after reviewing the Problems and Solutions Guide, the vehicle still fails to operate, please contact your nearest authorized service center (see page 24) or contact Power Wheels® Consumer Affairs toll-free at 1-800-348-0751.

Helpful Hint: For faster service when calling Consumer Affairs, completely charge the batteries before calling and have the following available by the phone:

- vehicle,
- vehicle model number (see sticker in battery compartment),
- vehicle production run number (see sticker in battery compartment),
- Phillips screwdriver, slotted screwdriver and needle-nose pliers with plastic or rubber handles,
- an extra Power Wheels® 30 amp fuse is helpful.

N

Statement of Limited Warranty

90-day limited warranty for the Power Wheels® Ride-On Toy Vehicle

A 6-month battery warranty applying only to those 6 volt batteries which were included by Power Wheels®, with the Power Wheels® vehicle when originally purchased.

This limited warranty covers the Power Wheels® ride-on vehicle and the 6 volt batteries, purchased from Power Wheels® by the original purchaser, against defects in materials and workmanship.

This warranty covers normal use and does not cover the Power Wheels® vehicle or batteries if damaged by unreasonable use, neglect, accident, abuse, misuse, improper service or other causes not arising out of defects in materials or workmanship. Evidence of any attempt at consumer repair will void this warranty. This warranty does not cover, and is intended to exclude, any liability on the part of Power Wheels®, whether under this warranty or implied by law or any indirect or

consequential damages for breach of warranty. Some states do not allow the exclusion or limitation so this limitation may not apply to you.

Should you need service or assistance with your vehicle during the warranty period, **DO NOT RETURN THE VEHICLE TO THE STORE.** Power Wheels® has provided a nationwide network of authorized service centers. Please refer to the list in this manual. Power Wheels® is continually expanding our Authorized Service Center Network. If there is not an authorized service center in your area, please call Consumer Affairs for information, **1-800-348-0751**.

This warranty gives you specific legal rights, and you may also have other rights which may vary from state to state. **PLEASE SAVE YOUR ORIGINAL SALES RECEIPT.**

O

Authorized Service Centers

We are continually expanding our Authorized Service Center Network. Please check this listing for the authorized service center nearest you. If there is not one in your area, please call Power Wheels® Consumer Affairs at 1-800-348-0751.

ALABAMA

BIRMINGHAM - Frigid Service & Sales, 701 Graymont Ave. North, 35203, (205) 323-5831
BIRMINGHAM - Frigid Service & Sales, 1861 Centerpoint Rd., 35215, (205) 853-3952
BIRMINGHAM (HOMWOOD) - D & R Appliance Company, 154 West Valley Ave., 35209, (205) 942-3959
CULLMAN - Robert G. Werner Company, 1115 4th Street S.W., 35055, (205) 734-5673
DECATUR - Peddler II, 1000 B Beltline Road, 35603, (205) 350-1044
DOTHAN - Bill's Appliance Service, 208 Bic Road, P.O. Box 1192, 36303, (334) 792-7746
DOUGLAS - Brown Hardware, Highway 75, 35964, (205) 593-6086
HUNTSVILLE - C & G Appliance, 307 Jordan Lane, 35805, (205) 837-4551
MOBILE - Foster's Appliance Repair, 1660 South Beltline Highway, 36693, (334) 666-2670
MONTGOMERY - Acme Service Co., 2603 Highland Ave., 36107, (205) 264-2456
TUSCALOOSA (NORTHPORT) - Frigid Service & Sales, 2813 Lurleen B. Wallace Blvd., 35476, (205) 339-3624

ALASKA

ANCHORAGE - Ken's Electronics Service, 360 E. International, Ste. 8, 99518, (907) 562-3443

ARIZONA

GLENDALE - Elliott Electric Appliance Service, 6242 N. 43rd Avenue, 85301, (602) 937-2613
SCOTTSDALE - Elliott Electric, 7515 E. McDowell Road, 85257, (602) 946-7487
TUCSON - Arizona Small Appliance Service Co., 5033 E 5th Street, 85711, (520) 325-3988

ARKANSAS

FT. SMITH - Bromley Appliance Service, 614 North 10th Street, 72901, (501) 782-9646
HOT SPRINGS, The Battery Center, 400 Airport Road, 71913, (501) 624-7144
JONESBORO - Best Sewing & Vacuum & Repair, 2235 S. Caraway Road, 72401, (501) 935-4739, (800) 844-4739
LITTLE ROCK - C & W Tool Repair, 1303 W. Markham, 72201, (501) 374-1911
MENA - Bearcat Starter & Alt., 801 Petros, 71953, (501) 394-0320
ROGERS - Kressel's Vacuum & Repair, 115 North 5th Street, 72756, (501) 636-7894
STUTTGART - Davis Lumber Company, 301 East Michigan, 72160, (501) 673-3601

CALIFORNIA

ANDERSON - Hardware Express/ Do It Best, 2681 Balls Ferry Road, 96007, (916) 365-3783
BAKERSFIELD - Southwest TV, 6300 White Lane, Suite B, 93309, (805) 397-4940
CONCORD - California Electric Service Center, 1170-G Burnett Avenue, 94520, (510) 827-1011
COVINA - California Electric Service Center, 612 Shoppers Lane, 91723, (818) 915-4935
DUBLIN - California Electric Service, 8947 San Ramon Road, 94568, (510) 551-3390
FONTANA - California Electric Service Center, 9794 Sierra Avenue, 92335, (909) 355-2500
FORT JONES - Ft. Jones Frontier Hardware, 11911 Main Street, 96032, (916) 468-2266
FRESNO - Valley Small Appliance, 4005 E. Ashlan Avenue, 93726, (209) 224-5530

FULLERTON - California Electric Service Center, 1208 E. Ash Avenue, 92631-5020, (714) 870-0900
LOS ALAMITOS - California Electric Service Center, 11284 Los Alamitos Blvd., 90720, (562) 430-2668
MERCED - Moosehead Electronics, 920 W. 18th Street, 95340, (209) 723-4712
MISSION VIEJO - California Electric Service Center, 23725 Via Fabricante, Unit B, 92691, (714) 586-9440
OAKLAND - California Electric Service Center, 1139 E. 12th Street, 94606, (510) 834-1050
OXNARD - Terry's Inc., The Clean-up Store, 1237 Saviers Road, 93033, (805) 487-9401, (800) 845-3223
PASADENA - California Electric Service Center, 2594 E. Colorado Blvd., 91107, (818) 792-3194
SACRAMENTO - California Electric Service Center, 1821 "Q" Street, 95814, (916) 443-5711
SALINAS - SRS Hobbies, 1038A North Davis Road, 93907, (408) 424-4044
SAN CARLOS - California Electric Service Center, 990 Industrial Road, Suite 102, 94070, (415) 593-6696
SAN DIEGO - California Electric Service Center, 3430 El Cajon Blvd., 92104, (619) 283-6488
SAN FRANCISCO - California Electric Service Center, 1090 Bryant Street, 94103, (415) 431-8494
SAN JOSE - California Electric Service Center, 481 So. Bascom, 95126, (408) 295-1723
SANTA ANA - California Electric Service Center, 2025 South Main Street, 92707, (714) 641-0529
SANTA ROSA - Hardisty's Inc., 710 Farmers Lane, 95405, (707) 545-0535
STOCKTON - California Electronics, 929 North Yosemite Street, 95203, (209) 466-5432
TEMECULA - California Electric Service Center, 41715 Enterprise Circle North, Suite 101, 92590, (909) 695-5445

Authorized Service Centers

ALABAMA

BIRMINGHAM - Frigid Service & Sales, 701 Graymont Ave. North, 35203, (205) 323-5831
BIRMINGHAM - Frigid Service & Sales, 1861 Centerpoint Rd., 35215, (205) 853-3952
BIRMINGHAM (HOMEWOOD) - D & R Appliance Company, 154 West Valley Ave., 35209, (205) 942-3959
CULLMAN - Robert G. Werner Company, 1115 4th Street S.W., 35055, (205) 734-5673
DECATUR - Peddler II, 1000 B Beltline Road, 35603, (205) 350-1044
DOTHAN - Bill's Appliance Service, 208 Bic Road, P.O. Box 1192, 36303, (334) 792-7746
DOUGLAS - Brown Hardware, Highway 75, 35964, (205) 593-6086
HUNTSVILLE - C & G Appliance, 307 Jordan Lane, 35805, (205) 837-4551
MOBILE - Foster's Appliance Repair, 1660 South Beltline Highway, 36693, (334) 666-2670
MONTGOMERY - Acme Service Co., 2603 Highland Ave., 36107, (205) 264-2456
TUSCALOOSA (NORTHPORT) - Frigid Service & Sales, 2813 Lurleen B. Wallace Blvd., 35476, (205) 339-3624

ALASKA

ANCHORAGE - Ken's Electronics Service, 360 E. International, Ste. 8, 99518, (907) 562-3443

ARIZONA

GLENDALE - Elliott Electric Appliance Service, 6242 N. 43rd Avenue, 85301, (602) 937-2613
SCOTTSDALE - Elliott Electric, 7515 E. McDowell Road, 85257, (602) 946-7487
TUCSON - Arizona Small Appliance Service Co., 5033 E 5th Street, 85711, (520) 325-3988

ARKANSAS

FT. SMITH - Bromley Appliance Service, 614 North 10th Street, 72901, (501) 782-9646
HOT SPRINGS, The Battery Center, 400 Airport Road, 71913, (501) 624-7144
JONESBORO - Best Sewing & Vacuum & Repair, 2235 S. Caraway Road, 72401, (501) 935-4739, (800) 844-4739
LITTLE ROCK - C & W Tool Repair, 1303 W. Markham, 72201, (501) 374-1911
MENA - Bearcat Starter & Alt., 801 Petros, 71953, (501) 394-0320
ROGERS - Kressel's Vacuum & Repair, 115 North 5th Street, 72756, (501) 636-7894
STUTTGART - Davis Lumber Company, 301 East Michigan, 72160, (501) 673-3601

CALIFORNIA

ANDERSON - Hardware Express/ Do It Best, 2681 Balls Ferry Road, 96007, (916) 365-3783
BAKERSFIELD - Southwest TV, 6300 White Lane, Suite B, 93309, (805) 397-4940
CONCORD - California Electric Service Center, 1170-G Burnett Avenue, 94520, (510) 827-1011
COVINA - California Electric Service Center, 612 Shoppers Lane, 91723, (818) 915-4935
DUBLIN - California Electric Service, 8947 San Ramon Road, 94568, (510) 551-3390
FONTANA - California Electric Service Center, 9794 Sierra Avenue, 92335, (909) 355-2500
FORT JONES - Ft. Jones Frontier Hardware, 11911 Main Street, 96032, (916) 468-2266
FRESNO - Valley Small Appliance, 4005 E. Ashlan Avenue, 93726, (209) 224-5530

FULLERTON - California Electric Service Center, 1208 E. Ash Avenue, 92631-5020, (714) 870-0900
LOS ALAMITOS - California Electric Service Center, 11284 Los Alamitos Blvd., 90720, (562) 430-2668
MERCED - Moosehead Electronics, 920 W. 18th Street, 95340, (209) 723-4712
MISSION VIEJO - California Electric Service Center, 23725 Via Fabricante, Unit B, 92691, (714) 586-9440
OAKLAND - California Electric Service Center, 1139 E. 12th Street, 94606, (510) 834-1050
OXNARD - Terry's Inc., The Clean-up Store, 1237 Saviers Road, 93033, (805) 487-9401, (800) 845-3223
PASADENA - California Electric Service Center, 2594 E. Colorado Blvd., 91107, (818) 792-3194

SACRAMENTO - California Electric Service Center, 1821 "Q" Street, 95814, (916) 443-5711
SALINAS - SRS Hobbies, 1038A North Davis Road, 93907, (408) 424-4044
SAN CARLOS - California Electric Service Center, 990 Industrial Road, Suite 102, 94070, (415) 593-6696
SAN DIEGO - California Electric Service Center, 3430 El Cajon Blvd., 92104, (619) 283-6488
SAN FRANCISCO - California Electric Service Center, 1090 Bryant Street, 94103, (415) 431-8494
SAN JOSE - California Electric Service Center, 481 So. Bascom, 95126, (408) 295-1723
SANTA ANA - California Electric Service Center, 2025 South Main Street, 92707, (714) 641-0529
SANTA ROSA - Hardisty's Inc., 710 Farmers Lane, 95405, (707) 545-0535
STOCKTON - California Electronics, 929 North Yosemite Street, 95203, (209) 466-5432
TEMECULA - California Electric Service Center, 41715 Enterprise Circle North, Suite 101, 92590, (909) 695-5445
VAN NUYS - California Electric Service Center, 14753 Oxnard Blvd., 91411, (818) 997-8855
WEST LOS ANGELES - California Electric Service Center, 2314 S. Westwood Blvd., 90064, (310) 475-2532
YUCAIPA - Aire-Rite Heating & A/C, 34724 Yucaipa Blvd., 92399, (909) 797-2788

COLORADO

COLORADO SPRINGS - Nelson Appliance Repair, Inc., 1220 E. Fillmore, 80907, (719) 635-1928, (800) 291-8010
DENVER - Appliance Service, 4262 Lowell Blvd., 80211, (303) 458-1109, (800) 631-0941 (CO, WY only)
DENVER (ENGLEWOOD) - Appliance Service, 3932 S. Broadway, 80110, (303) 781-1227, (800) 553-1864
GRAND JUNCTION - V & L Appliance Service, 809 North Avenue, 81501, (970) 243-3360

CONNECTICUT

HARTFORD - Hartford Element & Appliance Service, 1500 Albany Avenue, 06112, (860) 246-7424, (800) 787-7977
NEW HAVEN (HAMDEN) - New Haven Appliance Service Center, 1627 Dixwell Avenue, 06514, (203) 288-6229
SHELTON - Jeff's Appliance, Inc., 500A Howe Avenue, 06484, (203) 924-8997
STAMFORD - Appliance Servicer of Stamford, 15 Cedar Heights Road, 06905, (203) 322-7656
WATERBURY - P.J. Appliance Repair, 935 South Main Street, 06706, (203) 757-1014

DELAWARE

DOVER - Del-Mar Appliance of Delaware, 230 South Governors Avenue, 19904, (302) 674-2414, (800) 858-3424
WILMINGTON - Lyons Hardware, Inc., 2021 Kirkwood Highway, 19805, (302) 995-1260

FLORIDA

ATLANTIC BEACH - First Coast Repair, 25 Seminole Road, 32233, (904) 246-4616
CAPE CORAL - Family Hardware/Do-It Express, 622 SE 47th Terrace, 33904, (941) 542-6365
DELRAY - Mister Fix It, 209 S.E. 2nd Avenue, 33483, (407) 243-9999
GAINESVILLE - Authorized Appliance Service Co., 2614 S.W. 34th Street, 32608, (904) 375-3886
HIALEAH - S-O Service Co., 925 Hialeah Drive, 33010, (305) 887-6275
HOLLY HILL - Ormond Element, 1668 Ridgewood Avenue, 32117, (904) 677-3497
JACKSONVILLE - Authorized Appliance Service Co., 6120-5 Powers Avenue, 32217, (904) 737-5312
LAKELAND - Electric Shaver & Small Appliance, 4243 S. Florida Avenue, 33813, (941) 644-4690
MIAMI - Goodman's Sales & Service, 13081 SW 133 Court, 33186, (305) 278-8822
NORTH FORT MYERS - Family Hardware, 13817 N. Cleveland Ave., 33903, (941) 995-6161
NORTH PALM BEACH - Appliance Doctors, 450 Northlake Blvd., 33408, (407) 845-0377, FAX (407) 845-0378
OCALA, Vacuums, Inc., 3535 S.E. Maricamp Road, #103, 34471, (904) 694-2247
OCALA, Vacuums, Inc., 2461-A SW 27th Avenue, 34474, (352) 854-2247
ORLANDO - Pine Hills Appliance Svc. Co., 6100-4 W. Colonial Drive, 32808, (407) 299-1271

ORLANDO - Southern Electric Co., 510 N. Parramore Avenue, 32801, (407) 841-8824, (800) 940-8824
PANAMA CITY, Callaway Vacuum & Sewing, 221 N. Tyndall Prkwy., 32404, (904) 763-6333
PENSACOLA - Foster's Appliance Repair, 3836 N. Davis Highway, 32503, (904) 432-8853
POMPANO BEACH - Authorized Appliance Service Co., 2171 N. Dixie Highway, 33060, (954) 941-2038
POMPANO BEACH - Philips Consumer Electronics, 2099 W. Atlantic Blvd., 33069, (954) 978-0467
PORT ST. LUCIE - Hoppe's Authorized Vac & Appliance, 6735 S. Federal Way, 34592, (561) 464-0102
ROCKLEDGE - Neelco Do-It Center, 400 Barton Blvd., 32955, (407) 639-1400
SARASOTA - Sunray Small Appliances, 8371 N. Tamiami, 34243, (941) 358-9999, (800) 895-5655
SEBRING - Sebring Do-It Center, 305 U.S. 27 North, 33870, (941) 385-2785
SPRING HILL - Crowder Bros Hardware, 5350 Spring Hill Dr., 34606, (904) 686-4743
ST. PETERSBURG - Keystone Electric, 4604 Central Avenue, 33711, (813) 321-1124
STUART - Appliance Doctors, 3166 S.E. Dixie Highway, 34997, (407) 287-6437
SUNRISE - Muller Appliance Service, 2620 N. University Drive, 33322, (954) 749-5460
TAMPA - Authorized Appliance Service Co., Dibbs Plaza, 4119 Gunn Hwy., Unit 8, 33624, (813) 968-6638
VENICE - Sunray South, 2143 South Tamiami Trail, 34293, (941) 493-1733
VERO BEACH - Hoppe's Authorized Vac & Appliance, 1872 Commerce Avenue, 32960, (561) 562-4466
WEST PALM BEACH - Satisfaction TV Video Service, Inc., 1980 S. Congress Avenue, 33406, (561) 439-3733

GEORGIA

ATLANTA - Georgia Service Center, 5366 Buford Hwy., 30340, (770) 455-1716, (800) 455-1715
ATLANTA (MARIETTA) - Philips Consumer Electronics, 200 N. Cobb Parkway, Bldg. #100, Suite 120, 30062, (770) 795-0085
AUGUSTA - A & A Appliance Parts & Service, 1708 Walton Way, 30904, (706) 733-5163
BRUNSWICK - Arco Hardware & Supply, 3711 Community Road, 31520, (912) 267-0771
COLUMBUS - Burrell's National Appliance Service, 1728 Warm Springs Road, 31904, (706) 327-0523
LOGANVILLE - Mtn. Mower Sales and Service, 6099C Hwy. 20, 30249, (770) 466-9111
SAVANNAH - Hagins Appliance Service, 3 West Victory Drive, 31405, (912) 233-8372
TIFTON - Western Auto, 354 S. Main St., 31794, (912) 382-5767
VALDOSTA - Harry B. Anderson, Inc. Western Auto, 204 Central Avenue, 31601, (912) 242-5945

HAWAII

HONOLULU - McCully Bicycle & Sporting Goods, 932 Hausten Street, 96826, (808) 946-1192
WAILUKU (MAUI) - Tom's Appliance Sales & Service, 891 Eha Street, 96793, (808) 244-6278
WAIPAHU - Waipahu Bicycle, 94-320 Depot Street, 96797, (808) 671-4091

IDAHO

BOISE - Boise Appliance, 1503 Main Street, 83702, (208) 343-0102

ILLINOIS

CHAMPAIGN - Appliance Parts & Service Center, 905 Francois, 61821, (217) 355-0220
CHICAGO (BERWYN) - Brand Service Center, 6739 West Cermak, 60402, (708) 749-4315
CHICAGO (DOWNER'S GROVE) - Authorized Appliance Service Co., 1644 W. Ogden Avenue, 60515, (630) 852-1550
CHICAGO (MORTON GROVE) - Brand Service Center, Inc., 5618 Dempster Street, 60053, (847) 965-5900
JACKSONVILLE - Rexx Battery Specialists, 847 South Main Street, 62650, (217) 245-2713
NASHVILLE - Kesel Hardware, 173 West St. Louis, 62263, (618) 327-8957
NILES - Household Appliance Sales & Serv., 7411 N. Milwaukee Ave., 60714, (847) 647-8250
PEORIA - Brand Service Center, 6926-I North University

Authorized Service Centers

ALABAMA

BIRMINGHAM - Frigid Service & Sales, 701 Graymont Ave. North, 35203, (205) 323-5831
BIRMINGHAM - Frigid Service & Sales, 1861 Centerpoint Rd., 35215, (205) 853-3952
BIRMINGHAM (HOMEWOOD) - D & R Appliance Company, 154 West Valley Ave., 35209, (205) 942-3959
CULLMAN - Robert G. Werner Company, 1115 4th Street S.W., 35055, (205) 734-5673
DECATUR - Peddler II, 1000 B Beltline Road, 35603, (205) 350-1044
DOTHAN - Bill's Appliance Service, 208 Bic Road, P.O. Box 1192, 36303, (334) 792-7746
DOUGLAS - Brown Hardware, Highway 75, 35964, (205) 593-6086
HUNTSVILLE - C & G Appliance, 307 Jordan Lane, 35805, (205) 837-4551
MOBILE - Foster's Appliance Repair, 1660 South Beltline Highway, 36693, (334) 666-2670
MONTGOMERY - Acme Service Co., 2603 Highland Ave., 36107, (205) 264-2456
TUSCALOOSA (NORTHPORT) - Frigid Service & Sales, 2813 Lurleen B. Wallace Blvd., 35476, (205) 339-3624

ALASKA

ANCHORAGE - Ken's Electronics Service, 360 E. International, Ste. 8, 99518, (907) 562-3443

ARIZONA

GLENDALE - Elliott Electric Appliance Service, 6242 N. 43rd Avenue, 85301, (602) 937-2613
SCOTTSDALE - Elliott Electric, 7515 E. McDowell Road, 85257, (602) 946-7487
TUCSON - Arizona Small Appliance Service Co., 5033 E 5th Street, 85711, (520) 325-3988

ARKANSAS

FT. SMITH - Bromley Appliance Service, 614 North 10th Street, 72901, (501) 782-9646
HOT SPRINGS, The Battery Center, 400 Airport Road, 71913, (501) 624-7144
JONESBORO - Best Sewing & Vacuum & Repair, 2235 S. Caraway Road, 72401, (501) 935-4739, (800) 844-4739
LITTLE ROCK - C & W Tool Repair, 1303 W. Markham, 72201, (501) 374-1911
MENA - Bearcat Starter & Alt., 801 Petros, 71953, (501) 394-0320
ROGERS - Kressel's Vacuum & Repair, 115 North 5th Street, 72756, (501) 636-7894
STUTTGART - Davis Lumber Company, 301 East Michigan, 72160, (501) 673-3601

CALIFORNIA

ANDERSON - Hardware Express/ Do It Best, 2681 Balls Ferry Road, 96007, (916) 365-3783
BAKERSFIELD - Southwest TV, 6300 White Lane, Suite B, 93309, (805) 397-4940
CONCORD - California Electric Service Center, 1170-G Burnett Avenue, 94520, (510) 827-1011
COVINA - California Electric Service Center, 612 Shoppers Lane, 91723, (818) 915-4935
DUBLIN - California Electric Service, 8947 San Ramon Road, 94568, (510) 551-3390
FONTANA - California Electric Service Center, 9794 Sierra Avenue, 92335, (909) 355-2500
FORT JONES - Ft. Jones Frontier Hardware, 11911 Main Street, 96032, (916) 468-2266
FRESNO - Valley Small Appliance, 4005 E. Ashlan Avenue, 93726, (209) 224-5530
FULLERTON - California Electric Service Center, 1208 E. Ash Avenue, 92631-5020, (714) 870-0900
LOS ALAMITOS - California Electric Service Center, 11284 Los Alamitos Blvd., 90720, (562) 430-2668
MERCED - Moosehead Electronics, 920 W. 18th Street, 95340, (209) 723-4712
MISSION VIEJO - California Electric Service Center, 23725 Via Fabricante, Unit B, 92691, (714) 586-9440
OAKLAND - California Electric Service Center, 1139 E. 12th Street, 94606, (510) 834-1050
OXNARD - Terry's Inc., The Clean-up Store, 1237 Saviers Road, 93033, (805) 487-9401, (800) 845-3223

PASADENA - California Electric Service Center, 2594 E. Colorado Blvd., 91107, (818) 792-3194
SACRAMENTO - California Electric Service Center, 1821 "Q" Street, 95814, (916) 443-5711
SALINAS - SRS Hobbies, 1038A North Davis Road, 93907, (408) 424-4044
SAN CARLOS - California Electric Service Center, 990 Industrial Road, Suite 102, 94070, (415) 593-6696
SAN DIEGO - California Electric Service Center, 3430 El Cajon Blvd., 92104, (619) 283-6488
SAN FRANCISCO - California Electric Service Center, 1090 Bryant Street, 94103, (415) 431-8494
SAN JOSE - California Electric Service Center, 481 So. Bascom, 95126, (408) 295-1723
SANTA ANA - California Electric Service Center, 2025 South Main Street, 92707, (714) 641-0529
SANTA ROSA - Hardisty's Inc., 710 Farmers Lane, 95405, (707) 545-0535
STOCKTON - California Electronics, 929 North Yosemite Street, 95203, (209) 466-5432
TEMECULA - California Electric Service Center, 41715 Enterprise Circle North, Suite 101, 92590, (909) 695-5445
VAN NUYS - California Electric Service Center, 14753 Oxnard Blvd., 91411, (818) 997-8855
WEST LOS ANGELES - California Electric Service Center, 2314 S. Westwood Blvd., 90064, (310) 475-2532
YUCAIPA - Aire-Rite Heating & A/C, 34724 Yucaipa Blvd., 92399, (909) 797-2788

COLORADO

COLORADO SPRINGS - Nelson Appliance Repair, Inc., 1220 E. Fillmore, 80907, (719) 635-1928, (800) 291-8010
DENVER - Appliance Service, 4262 Lowell Blvd., 80211, (303) 458-1109, (800) 631-0941 (CO, WY only)
DENVER (ENGLEWOOD) - Appliance Service, 3932 S. Broadway, 80110, (303) 781-1227, (800) 553-1864
GRAND JUNCTION - V & L Appliance Service, 809 North Avenue, 81501, (970) 243-3360

CONNECTICUT

HARTFORD - Hartford Element & Appliance Service, 1500 Albany Avenue, 06112, (860) 246-7424, (800) 787-7977
NEW HAVEN (HAMDEN) - New Haven Appliance Service Center, 1627 Dixwell Avenue, 06514, (203) 288-6229
SHELTON - Jeff's Appliance, Inc., 500A Howe Avenue, 06484, (203) 924-8997
STAMFORD - Appliance Servicenter of Stamford, 15 Cedar Heights Road, 06905, (203) 322-7656
WATERBURY - P.J. Appliance Repair, 935 South Main Street, 06706, (203) 757-1014

DELAWARE

DOVER - Del-Mar Appliance of Delaware, 230 South Governors Avenue, 19904, (302) 674-2414, (800) 858-3424
WILMINGTON - Lyons Hardware, Inc., 2021 Kirkwood Highway, 19805, (302) 995-1260

FLORIDA

ATLANTIC BEACH - First Coast Repair, 25 Seminole Road, 32233, (904) 246-4616
CAPE CORAL - Family Hardware/Do-It Express, 622 SE 47th Terrace, 33904, (941) 542-6365
DELRAY - Mister Fix It, 209 S.E. 2nd Avenue, 33483, (407) 243-9999
GAINESVILLE - Authorized Appliance Service Co., 2614 S.W. 34th Street, 32608, (904) 375-3886
HIALEAH - S-O Service Co., 925 Hialeah Drive, 33010, (305) 887-6275
HOLLY HILL - Ormond Element, 1668 Ridgewood Avenue, 32117, (904) 677-3497
JACKSONVILLE - Authorized Appliance Service Co., 6120-5 Powers Avenue, 32217, (904) 737-5312
LAKELAND - Electric Shaver & Small Appliance, 4243 S. Florida Avenue, 33813, (941) 644-4690
MIAMI - Goodman's Sales & Service, 13081 SW 133 Court, 33186, (305) 278-8822
NORTH FORT MYERS - Family Hardware, 13817 N. Cleveland Ave., 33903, (941) 995-6161
NORTH PALM BEACH - Appliance Doctors, 450 Northlake Blvd., 33408, (407) 845-0377, FAX (407) 845-0378
OCALA, Vacuums, Inc., 3535 S.E. Maricamp Road, #103, 34471, (904) 694-2247
OCALA, Vacuums, Inc., 2461-A SW 27th Avenue, 34474,

(352) 854-2247
ORLANDO - Pine Hills Appliance Svc. Co., 6100-4 W. Colonial Drive, 32808, (407) 299-1271
ORLANDO - Southern Electric Co., 510 N. Parramore Avenue, 32801, (407) 841-8824, (800) 940-8824
PANAMA CITY, Callaway Vacuum & Sewing, 221 N. Tyndall Prkwy., 32404, (904) 763-6333
PENSACOLA - Foster's Appliance Repair, 3836 N. Davis Highway, 32503, (904) 432-8853
POMPANO BEACH - Authorized Appliance Service Co., 2171 N. Dixie Highway, 33060, (954) 941-2038
POMPANO BEACH - Philips Consumer Electronics, 2099 W. Atlantic Blvd., 33069, (954) 978-0467
PORT ST. LUCIE - Hoppe's Authorized Vac & Appliance, 6735 S. Federal Way, 34592, (561) 464-0102
ROCKLEDGE - Neelco Do-It Center, 400 Barton Blvd., 32955, (407) 639-1400
SARASOTA - Sunray Small Appliances, 8371 N. Tamiami, 34243, (941) 358-9999, (800) 895-5655
SEBRING - Sebring Do-It Center, 305 U.S. 27 North, 33870, (941) 385-2785
SPRING HILL - Crowder Bros Hardware, 5350 Spring Hill Dr., 34606, (904) 686-4743
ST. PETERSBURG - Keystone Electric, 4604 Central Avenue, 33711, (813) 321-1124
STUART - Appliance Doctors, 3166 S.E. Dixie Highway, 34997, (407) 287-6437
SUNRISE - Muller Appliance Service, 2620 N. University Drive, 33322, (954) 749-5460
TAMPA - Authorized Appliance Service Co., Dibbs Plaza, 4119 Gunn Hwy., Unit 8, 33624, (813) 968-6638
VENICE - Sunray South, 2143 South Tamiami Trail, 34293, (941) 493-1733
VERO BEACH - Hoppe's Authorized Vac & Appliance, 1872 Commerce Avenue, 32960, (561) 562-4466
WEST PALM BEACH - Satisfaction TV Video Service, Inc., 1980 S. Congress Avenue, 33406, (561) 439-3733

GEORGIA

ATLANTA - Georgia Service Center, 5366 Buford Hwy., 30340, (770) 455-1716, (800) 455-1151
ATLANTA (MARIETTA) - Philips Consumer Electronics, 200 N. Cobb Parkway, Bldg. #100, Suite 120, 30062, (770) 795-0085
AUGUSTA - A & A Appliance Parts & Service, 1708 Walton Way, 30904, (706) 733-5163
BRUNSWICK - Arco Hardware & Supply, 3711 Community Road, 31520, (912) 267-0771
COLUMBUS - Burrell's National Appliance Service, 1728 Warm Springs Road, 31904, (706) 327-0523
LOGANVILLE - Mtn. Mower Sales and Service, 6099C Hwy. 20, 30249, (770) 466-9111
SAVANNAH - Hagins Appliance Service, 3 West Victory Drive, 31405, (912) 233-8372
TIFTON - Western Auto, 354 S. Main St., 31794, (912) 382-5767
VALDOSTA - Harry B. Anderson, Inc. Western Auto, 204 Central Avenue, 31601, (912) 242-5945

HAWAII

HONOLULU - McCully Bicycle & Sporting Goods, 932 Hausten Street, 96826, (808) 946-1192
WAILUKU (MAUI) - Tom's Appliance Sales & Service, 891 Eha Street, 96793, (808) 244-6278
WAIPAHU - Waipahu Bicycle, 94-320 Depot Street, 96797, (808) 671-4091

IDAHO

BOISE - Boise Appliance, 1503 Main Street, 83702, (208) 343-0102

ILLINOIS

CHAMPAIGN - Appliance Parts & Service Center, 905 Francois, 61821, (217) 355-0220
CHICAGO (BERWYN) - Brand Service Center, 6739 West Cermak, 60402, (708) 749-4315
CHICAGO (DOWNER'S GROVE) - Authorized Appliance Service Co., 1644 W. Ogden Avenue, 60515, (630) 852-1550
CHICAGO (MORTON GROVE) - Brand Service Center, Inc., 5618 Dempster Street, 60053, (847) 965-5900
JACKSONVILLE - Rexx Battery Specialists, 847 South Main Street, 62650, (217) 245-2713

Authorized Service Centers

ALABAMA

BIRMINGHAM - Frigid Service & Sales, 701 Graymont Ave. North, 35203, (205) 323-5831
BIRMINGHAM - Frigid Service & Sales, 1861 Centerpoint Rd., 35215, (205) 853-3952
BIRMINGHAM (HOMEWOOD) - D & R Appliance Company, 154 West Valley Ave., 35209, (205) 942-3959
CULLMAN - Robert G. Werner Company, 1115 4th Street S.W., 35055, (205) 734-5673
DECATUR - Peddler II, 1000 B Beltline Road, 35603, (205) 350-1044
DOTHAN - Bill's Appliance Service, 208 Bic Road, P.O. Box 1192, 36303, (334) 792-7746
DOUGLAS - Brown Hardware, Highway 75, 35964, (205) 593-6086
HUNTSVILLE - C & G Appliance, 307 Jordan Lane, 35805, (205) 837-4551
MOBILE - Foster's Appliance Repair, 1660 South Beltline Highway, 36693, (334) 666-2670
MONTGOMERY - Acme Service Co., 2603 Highland Ave., 36107, (205) 264-2456
TUSCALOOSA (NORTHPORT) - Frigid Service & Sales, 2813 Lurleen B. Wallace Blvd., 35476, (205) 339-3624

ALASKA

ANCHORAGE - Ken's Electronics Service, 360 E. International, Ste. 8, 99518, (907) 562-3443

ARIZONA

GLENDALE - Elliott Electric Appliance Service, 6242 N. 43rd Avenue, 85301, (602) 937-2613
SCOTTSDALE - Elliott Electric, 7515 E. McDowell Road, 85257, (602) 946-7487
TUCSON - Arizona Small Appliance Service Co., 5033 E 5th Street, 85711, (520) 325-3988

ARKANSAS

FT. SMITH - Bromley Appliance Service, 614 North 10th Street, 72901, (501) 782-9646
HOT SPRINGS, The Battery Center, 400 Airport Road, 71913, (501) 624-7144
JONESBORO - Best Sewing & Vacuum & Repair, 2235 S. Caraway Road, 72401, (501) 935-4739, (800) 844-4739
LITTLE ROCK - C & W Tool Repair, 1303 W. Markham, 72201, (501) 374-1911
MENA - Bearcat Starter & Alt., 801 Petros, 71953, (501) 394-0320
ROGERS - Kressel's Vacuum & Repair, 115 North 5th Street, 72756, (501) 636-7894
STUTTGART - Davis Lumber Company, 301 East Michigan, 72160, (501) 673-3601

CALIFORNIA

ANDERSON - Hardware Express/ Do It Best, 2681 Balls Ferry Road, 96007, (916) 365-3783
BAKERSFIELD - Southwest TV, 6300 White Lane, Suite B, 93309, (805) 397-4940
CONCORD - California Electric Service Center, 1170-G Burnett Avenue, 94520, (510) 827-1011
COVINA - California Electric Service Center, 612 Shoppers Lane, 91723, (818) 915-4935
DUBLIN - California Electric Service, 8947 San Ramon Road, 94568, (510) 551-3390
FONTANA - California Electric Service Center, 9794 Sierra Avenue, 92335, (909) 355-2500
FORT JONES - Ft. Jones Frontier Hardware, 11911 Main Street, 96032, (916) 468-2266
FRESNO - Valley Small Appliance, 4005 E. Ashlan Avenue, 93726, (209) 224-5530
FULLERTON - California Electric Service Center, 1208 E. Ash Avenue, 92631-5020, (714) 870-0900
LOS ALAMITOS - California Electric Service Center, 11284 Los Alamitos Blvd., 90720, (562) 430-2668
MERCED - Moosehead Electronics, 920 W. 18th Street,

95340, (209) 723-4712
MISSION VIEJO - California Electric Service Center, 23725 Via Fabricante, Unit B, 92691, (714) 586-9440
OAKLAND - California Electric Service Center, 1139 E. 12th Street, 94606, (510) 834-1050
OXNARD - Terry's Inc., The Clean-up Store, 1237 Saviers Road, 93033, (805) 487-9401, (800) 845-3223
PASADENA - California Electric Service Center, 2594 E. Colorado Blvd., 91107, (818) 792-3194
SACRAMENTO - California Electric Service Center, 1821 "Q" Street, 95814, (916) 443-5711
SALINAS - SRS Hobbies, 1038A North Davis Road, 93907, (408) 424-4044
SAN CARLOS - California Electric Service Center, 990 Industrial Road, Suite 102, 94070, (415) 593-6696
SAN DIEGO - California Electric Service Center, 3430 El Cajon Blvd., 92104, (619) 283-6488
SAN FRANCISCO - California Electric Service Center, 1090 Bryant Street, 94103, (415) 431-8494
SAN JOSE - California Electric Service Center, 481 So. Bascom, 95126, (408) 295-1723
SANTA ANA - California Electric Service Center, 2025 South Main Street, 92707, (714) 641-0529
SANTA ROSA - Hardisty's Inc., 710 Farmers Lane, 95405, (707) 545-0535
STOCKTON - California Electronics, 929 North Yosemite Street, 95203, (209) 466-5432
TEMECULA - California Electric Service Center, 41715 Enterprise Circle North, Suite 101, 92590, (909) 695-5445
VAN NUYS - California Electric Service Center, 14753 Oxnard Blvd., 91411, (818) 997-8855
WEST LOS ANGELES - California Electric Service Center, 2314 S. Westwood Blvd., 90064, (310) 475-2532
YUCAIPA - Aire-Rite Heating & A/C, 34724 Yucaipa Blvd., 92399, (909) 797-2788

COLORADO

COLORADO SPRINGS - Nelson Appliance Repair, Inc., 1220 E. Fillmore, 80907, (719) 635-1928, (800) 291-8010
DENVER - Appliance Service, 4262 Lowell Blvd., 80211, (303) 458-1109, (800) 631-0941 (CO, WY only)
DENVER (ENGLEWOOD) - Appliance Service, 3932 S. Broadway, 80110, (303) 781-1227, (800) 553-1864
GRAND JUNCTION - V & L Appliance Service, 809 North Avenue, 81501, (970) 243-3360

CONNECTICUT

HARTFORD - Hartford Element & Appliance Service, 1500 Albany Avenue, 06112, (860) 246-7424, (800) 787-7977
NEW HAVEN (HAMDEN) - New Haven Appliance Service Center, 1627 Dixwell Avenue, 06514, (203) 288-6229
SHELTON - Jeff's Appliance, Inc., 500A Howe Avenue, 06484, (203) 924-8997
STAMFORD - Appliance Servicenter of Stamford, 15 Cedar Heights Road, 06905, (203) 322-7656
WATERBURY - P.J. Appliance Repair, 935 South Main Street, 06706, (203) 757-1014

DELAWARE

DOVER - Del-Mar Appliance of Delaware, 230 South Governors Avenue, 19904, (302) 674-2414, (800) 858-3424
WILMINGTON - Lyons Hardware, Inc., 2021 Kirkwood Highway, 19805, (302) 995-1260

FLORIDA

ATLANTIC BEACH - First Coast Repair, 25 Seminole Road, 32233, (904) 246-4616
CAPE CORAL - Family Hardware/Do-It Express, 622 SE 47th Terrace, 33904, (941) 542-6365
DELRAY - Mister Fix It, 209 S.E. 2nd Avenue, 33483, (407) 243-9999
GAINESVILLE - Authorized Appliance Service Co., 2614 S.W. 34th Street, 32608, (904) 375-3886
HIALEAH - S-O Service Co., 925 Hialeah Drive, 33010, (305) 887-6275

HOLLY HILL - Ormond Element, 1668 Ridgewood Avenue, 32117, (904) 677-3497
JACKSONVILLE - Authorized Appliance Service Co., 6120-5 Powers Avenue, 32217, (904) 737-5312
LAKELAND - Electric Shaver & Small Appliance, 4243 S. Florida Avenue, 33813, (941) 644-4690
MIAMI - Goodman's Sales & Service, 13081 SW 133 Court, 33186, (305) 278-8822
NORTH FORT MYERS - Family Hardware, 13817 N. Cleveland Ave., 33903, (941) 995-6161
NORTH PALM BEACH - Appliance Doctors, 450 Northlake Blvd., 33408, (407) 845-0377, FAX (407) 845-0378
OCALA, Vacuums, Inc., 3535 S.E. Maricamp Road, #103, 34471, (904) 694-2247
OCALA, Vacuums, Inc., 2461-A SW 27th Avenue, 34474, (352) 854-2247
ORLANDO - Pine Hills Appliance Svc. Co., 6100-4 W. Colonial Drive, 32808, (407) 299-1271
ORLANDO - Southern Electric Co., 510 N. Parramore Avenue, 32801, (407) 841-8824, (800) 940-8824
PANAMA CITY, Callaway Vacuum & Sewing, 221 N. Tyndal Prkwy., 32404, (904) 763-6333
PENSACOLA - Foster's Appliance Repair, 3836 N. Davis Highway, 32503, (904) 432-8853
POMPANO BEACH - Authorized Appliance Service Co., 2171 N. Dixie Highway, 33060, (954) 941-2038
POMPANO BEACH - Philips Consumer Electronics, 2099 W. Atlantic Blvd., 33069, (954) 978-0467
PORT ST. LUCIE - Hoppe's Authorized Vac & Appliance, 6735 S. Federal Way, 34592, (561) 464-0102
ROCKLEDGE - Neelco Do-It Center, 400 Barton Blvd., 32955, (407) 639-1400
SARASOTA - Sunray Small Appliances, 8371 N. Tamiami, 34243, (941) 358-9999, (800) 895-5655
SEBRING - Sebring Do-It Center, 305 U.S. 27 North, 33870, (941) 385-2785
SPRING HILL - Crowder Bros Hardware, 5350 Spring Hill Dr., 34606, (904) 686-4743
ST. PETERSBURG - Keystone Electric, 4604 Central Avenue, 33711, (813) 321-1124
STUART - Appliance Doctors, 3166 S.E. Dixie Highway, 34997, (407) 287-6437
SUNRISE - Muller Appliance Service, 2620 N. University Drive, 33322, (954) 749-5460
TAMPA - Authorized Appliance Service Co., Dibbs Plaza, 4119 Gunn Hwy., Unit 8, 33624, (813) 968-6638
VENICE - Sunray South, 2143 South Tamiami Trail, 34293, (941) 493-1733
VERO BEACH - Hoppe's Authorized Vac & Appliance, 1872 Commerce Avenue, 32960, (561) 562-4466
WEST PALM BEACH - Satisfaction TV Video Service, Inc., 1980 S. Congress Avenue, 33406, (561) 439-3733

GEORGIA

ATLANTA - Georgia Service Center, 5366 Buford Hwy., 30340, (770) 455-1716, (800) 455-1715
ATLANTA (MARIETTA) - Philips Consumer Electronics, 200 N. Cobb Parkway, Bldg. #100, Suite 120, 30062, (770) 795-0085
AUGUSTA - A & A Appliance Parts & Service, 1708 Walton Way, 30904, (706) 733-5163
BRUNSWICK - Arco Hardware & Supply, 3711 Community Road, 31520, (912) 267-0771
COLUMBUS - Burrell's National Appliance Service, 1728 Warm Springs Road, 31904, (706) 327-0523
LOGANVILLE - Mtn. Mower Sales and Service, 6099C Hwy. 20, 30249, (770) 466-9111
SAVANNAH - Hagins Appliance Service, 3 West Victory Drive, 31405, (912) 233-8372
TIFTON - Western Auto, 354 S. Main St., 31794, (912) 382-5767
VALDOSTA - Harry B. Anderson, Inc. Western Auto, 204 Central Avenue, 31601, (912) 242-5945



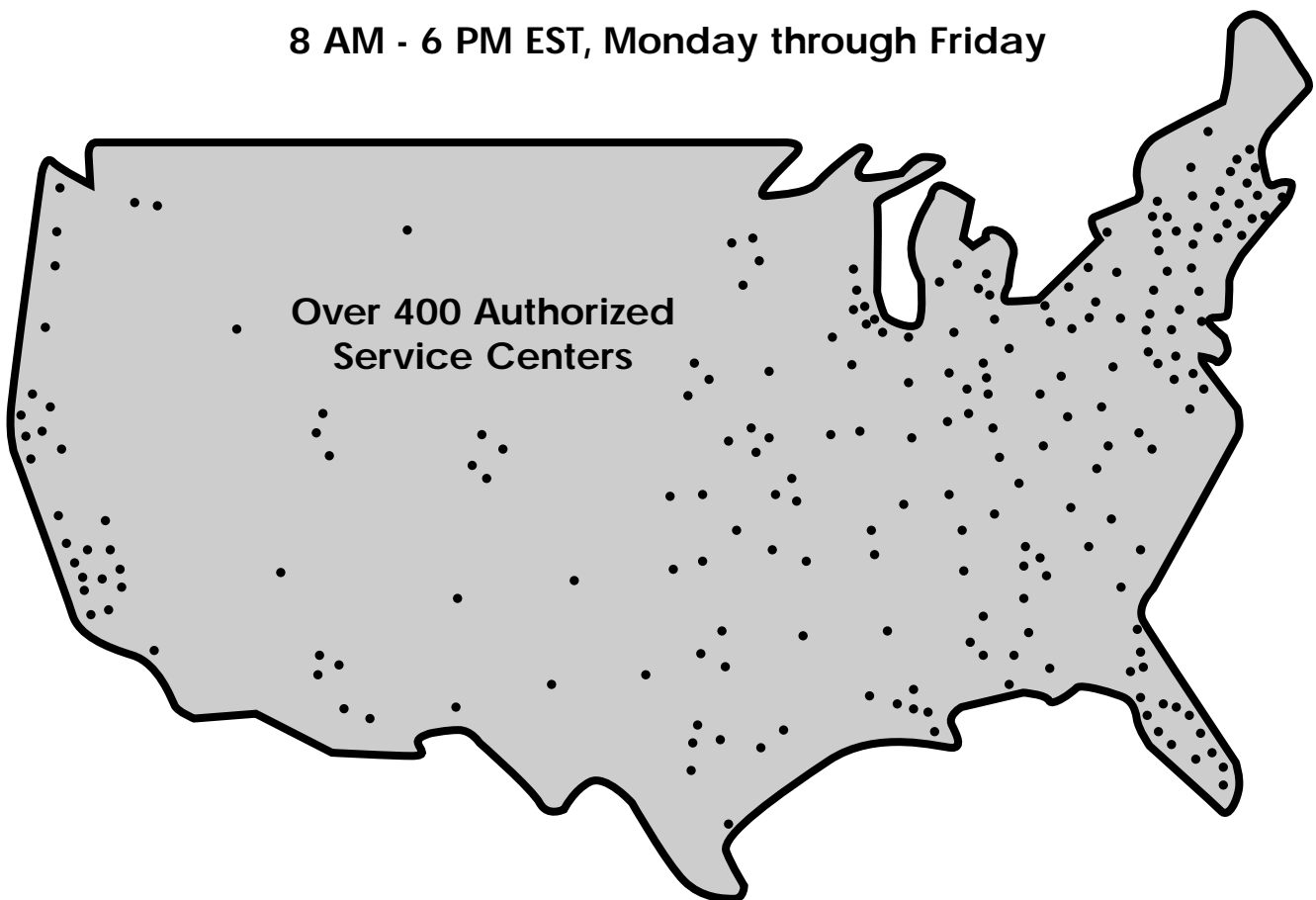
Do Not Return Your Vehicle to the Store

If you are missing parts or need assistance, please call us toll-free:

Power Wheels Consumer Affairs

1-800-348-0751

8 AM - 6 PM EST, Monday through Friday



Or contact your local Power Wheels® Authorized Service Center.

For the location nearest you, refer to the
Authorized Service Center list in this manual.

FORD, F-150 and associated trademarks used under license from Ford Motor Company.

Goodyear (and winged foot design) and Wrangler (for tires) are trademarks
of The Goodyear Tire & Rubber Company, used with permission.

©1997 Fisher-Price, Inc., East Aurora, New York 14052 - All Rights Reserved